

The Optem MVZL attaches directly to a C-mount video camera to provide 6:1 zoom machine vision over broad fields-of-view and across infinite working distances.



- Robotics & automation video
- Macro machine vision
- Web inspection
- In-line inspection
- Packaging inspection



OPTEM™ MVZL
MACRO VIDEO ZOOM LENS

Specifications

Working Distance
 "close-up" lens.....5.5 – 11"
 w/o "close-up" lens.....11" – ∞

Focal Length.....18 - 108 mm

ApertureF/2.5 – Closed

Magnification w/close-up lens
 @Max. WD:.....0.066 – 0.4X
 @Min. WD:.....0.17 – 1.0X

Zoom Ratio.....6:1 (parfocal)

FocusExternal, Manual w/ locking screw

Zoom Control.....External, Manual

Video Mount.....C-Mount

Camera Format.....2/3" or smaller

Weight.....1 lb., 3 oz.

Length.....159 mm

Diameter.....62 mm maximum

FIELDS-OF-VIEW (FOV)

WORKING DISTANCE.	FOV @ LOW MAG.	FOV @ HIGH MAG.
CLOSE-UP LENS		
5.5" (13.97cm)	38 x 51 mm	6 x 8 mm
7" (17.78cm)	60 x 80 mm	10 x 14 mm
8" (20.32cm)	72 x 96 mm	12 x 16 mm
9" (22.86cm)	83 x 110 mm	14 x 19 mm
10" (25.40cm)	90 x 120 mm	16 x 22 mm
11" (27.94cm)	100 x 133 mm	17 x 23 mm
CLOSE-UP LENS REMOVED		
11" (27.94cm)	79 x 105 mm	14 x 19 mm
24" (60.96cm)	198 x 264 mm	33 x 44 mm
36" (91.44cm)	311 x 415 mm	55 x 73 mm
48" (121.9cm)	415 x 553 mm	70 x 93 mm

Based upon a 2/3" camera format. For 1/2" camera format, multiply F.O.V. x 0.72.
 For 1/3" camera format multiply F.O.V. x 0.54.





Macro Video Zoom Lens

The Optem 18-108 Macro Video Zoom Lens (MVZL) is designed to integrate quickly and easily with your video camera. It is a cost-effective solution for machine vision and video inspection over broad fields-of-view and longer working distances.

This 6.5:1 Zoom Lens offers a unique "close-up" attachment that allows working distance as close as 5.5 – 11 inches. When the "close-up" lens is removed, the Optem MVZL will function from 11" out to infinity.

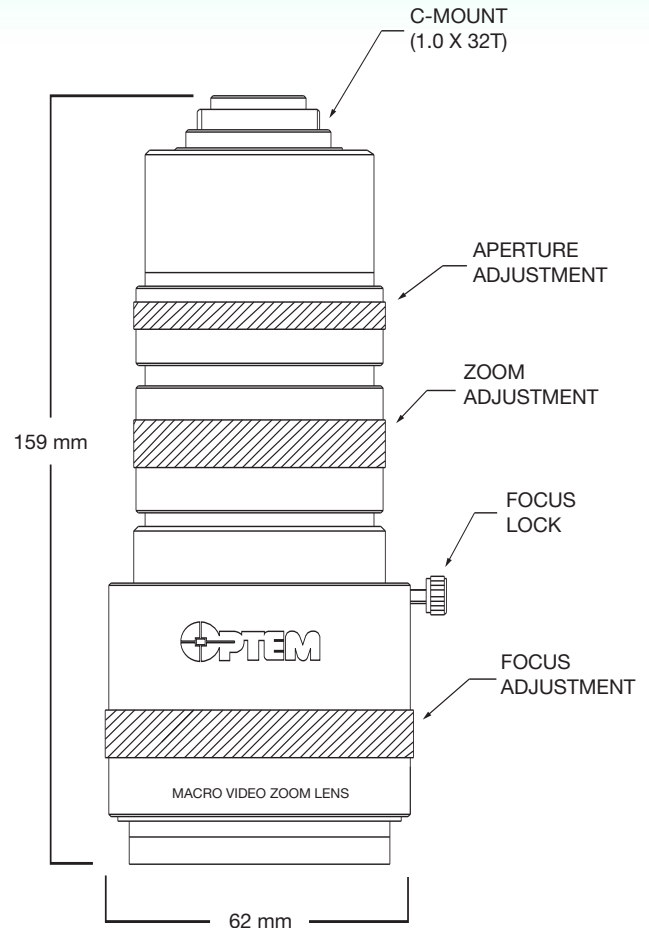
Features/Advantages

Thales Optem currently offers a complete line of high-magnification Zoom Optical Systems providing the utmost in modularity, flexibility, and imaging precision. There are however, specific applications that demand larger fields-of-view, and the Macro Video Zoom Lens delivers just that...and more:

-  **Parfocality** – Maintain focus throughout the entire zoom range.
-  **Longer Working Distances** – View a variety of specimens from 5.5 inches out through infinity.
-  **Magnification** – With "close-up" lens = 1.0X - 0.066X.
Without "close-up" lens = 0.47X - 0.084X
-  **Compatibility** – Works with virtually all single chip, C-Mount video cameras. 2/3" camera format or smaller recommended.

MACRO VIDEO ZOOM LENS

34-11-10
 (18-108 f/2.5 – close)



THALES

THALES OPTEM INC.

EHD imaging GmbH
 Zum Rennplatz 15, D-49401 Damme
 tel.:(+49) 5491-2090 • fax:(+49) 5491-2098

www.thales-optem.de