



# GoldDragonOptics Products

**GoldDragonOpticsCo.,Ltd** specializes in optical products and crystals for the commercial and research marketplace including laser, semiconductor and telecommunication applications. We are located in ChangChun, JiLin, Opticis base of China. Our in-depth knowledge and experience with optical components as well as excellent service enable us to provide the best possible support for those companies developing applications in these areas.

### Experience

Our executives and technical staff have 10 years experience in distributing high quality optics for industrial applications and research laboratories around the world. We provide the highest quality products as well as in-depth technical support.

### Knowledge

Our senior scientist has 20 years R&D experience in laser optics. All products are processed with strict quality control guidelines and are guaranteed to be of the highest quality.

### Service

We have always put the customer first in our business and strive to help our customers develop successful applications. We firmly believe that our success depends on our customer's success and to this end our experienced and knowledgeable staff will always provide complete pre-sales and post-sales support.

### Capabilities

Contract manufacturing of production volume of conventional optics and laser crystals at competitive price.

- Cylindrical lens(Aspherical ,Achromatics)
- Spherical lens(Achromatics Doublet,Mirror)
- Windows(round, square)
- Prisms(Right Angle,Wedges)
- Material:Optical glass,UV-grade fused silica,CaF2)
- Simple and complex optics or optical assemblies for prototype and volume production.
- AR-coating capability for Optical components.
- Customer design
- Contact today and experience our competitive prices and exceptional service.
- We guarantee the high quality,fast delivery and low price!
- Why not have a try, Must you get a new reliable supplier!





# Index

## Spherical lens

|  |         |
|--|---------|
| BK7 Plano-convex lens                        | .....03 |
| UV-Grade Fused Silica Plano-convex lens      | .....05 |
| CaF2 Plano-convex lens                       | .....07 |
| BK7 Bi-convex lens                           | .....08 |
| UV-Grade Fused silica Bi-convexlens          | .....10 |
| BK7 Plano-concave lens                       | .....12 |
| UV-Grade Fused Silica Plano-concave lens     | .....13 |
| CaF2 Plano-concave lens                      | .....14 |
| BK7 Bi-concave lens                          | .....15 |
| UV-Grade Fused Silica Bi-concave lens        | .....16 |
| CaF2 Bi-concave lens                         | .....17 |
| BK7 Positive eniscus lens                    | .....18 |
| UV-Grade Fused Silica Positive Meniscus lens | .....19 |
| BK7 Negaive Meniscus lens                    | .....20 |
| UV-Grade Fused Silica Negative Meniscus lens | .....21 |

## Achromatic doublets lens

|                                     |         |
|-------------------------------------|---------|
| Achromatic Doublets Positive Lenses | .....22 |
| Achromatic Doublets Negative Lenses | .....25 |

## Cylindrical lens

|   |         |
|---|---------|
| BK7 Positive Cylindrical lens                   | .....26 |
| UV-Grad Fused Silica Positive Cylindrical lens  | .....29 |
| BK7 Negative Cylindrical lens                   | .....30 |
| UV-Grade Fused Silica Negative Cylindrical lens | .....33 |

## Optics Windows

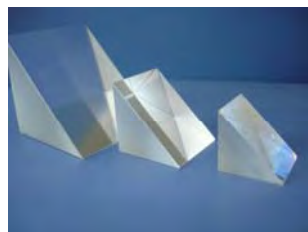
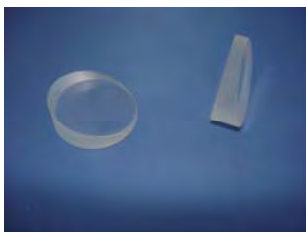
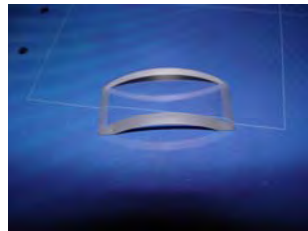
|                                      |         |
|--------------------------------------|---------|
| BK7 Round Windows                    | .....34 |
| UV-Grade Fused Silica Round Windows  | .....36 |
| BK7 Square Windows                   | .....37 |
| UV-Grade Fused Silica Square Windows | .....38 |

## Prisms

|   |         |
|---|---------|
| BK7 Right-angle Prism                   | .....39 |
| UV-Grade Fused Silica Right-Angle Prism | .....40 |
| BK7 Wedges                              | .....41 |
| Roof Prism                              | .....42 |
| Dove Prism                              | .....43 |
| Penta Prism                             | .....44 |

## Mirrors

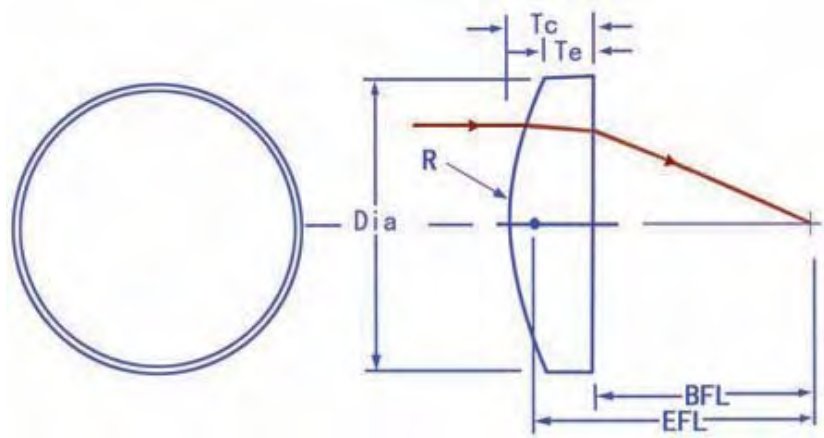
|                     |         |
|---------------------|---------|
| Flat Round Mirrors  | .....45 |
| Flat Square Mirrors | .....46 |





**Specifications**

- Materail: BK7 (China K9)
- Design Wavelength: 632.8nm
- nd: 1.51509
- Focal Length Tolerance:  $\pm 1\%$
- Diameter Tolerance:  $+0.0, -0.1\text{mm}$
- Center Thickness:  $\pm 0.1\text{mm}$
- Surface Figure:  $\lambda/2$
- Scratch/Dig: 40-20
- Centration:  $< 3'$
- Clear Aperture:  $> 90\%$
- Protective Bevel



| Part No. | Dia  | EFL     | R      | Tc   | Te  | BFL     |
|----------|------|---------|--------|------|-----|---------|
| GLA1116  | 6.0  | 10.000  | 5.151  | 2.5  | 1.5 | 8.350   |
| GLA1470  | 6.0  | 12.000  | 6.181  | 2.3  | 1.5 | 10.482  |
| GLA1222  | 6.0  | 15.000  | 7.726  | 2.1  | 1.5 | 13.614  |
| GLA1700  | 6.0  | 30.000  | 15.453 | 1.8  | 1.5 | 28.812  |
| GLA1576  | 9.0  | 12.000  | 6.181  | 3.4  | 1.5 | 9.756   |
| GLA1472  | 9.0  | 20.000  | 10.302 | 2.5  | 1.5 | 18.350  |
| GLA1540  | 12.7 | 15.000  | 7.726  | 5.1  | 1.8 | 11.634  |
| GLA1074  | 12.7 | 20.000  | 10.302 | 4.0  | 1.8 | 17.360  |
| GLA1560  | 12.7 | 25.000  | 12.877 | 3.5  | 1.8 | 22.690  |
| GLA1289  | 12.7 | 30.000  | 15.453 | 3.2  | 1.8 | 27.888  |
| GLA1304  | 12.7 | 40.000  | 20.604 | 2.8  | 1.8 | 38.152  |
| GLA1213  | 12.7 | 50.000  | 25.755 | 2.6  | 1.8 | 48.284  |
| GLA1207  | 12.7 | 100.000 | 51.509 | 2.2  | 1.8 | 98.548  |
| GLA1859  | 18.0 | 20.000  | 10.302 | 7.1  | 1.8 | 15.314  |
| GLA1270  | 18.0 | 25.000  | 12.877 | 5.5  | 1.8 | 21.370  |
| GLA1085  | 18.0 | 30.000  | 15.453 | 4.7  | 1.8 | 26.898  |
| GLA1119  | 18.0 | 50.000  | 25.755 | 3.4  | 1.8 | 47.756  |
| GLA1951  | 25.4 | 25.400  | 13.083 | 11.7 | 1.8 | 17.678  |
| GLA1805  | 25.4 | 30.000  | 15.453 | 8.6  | 2.0 | 24.324  |
| GLA1027  | 25.4 | 35.000  | 18.028 | 7.2  | 2.0 | 30.248  |
| GLA1422  | 25.4 | 40.000  | 20.604 | 6.4  | 2.0 | 35.776  |
| GLA1131  | 25.4 | 50.000  | 25.755 | 5.3  | 2.0 | 46.502  |
| GLA1134  | 25.4 | 60.000  | 30.905 | 4.7  | 2.0 | 56.898  |
| GLA1608  | 25.4 | 75.000  | 38.632 | 4.1  | 2.0 | 72.294  |
| GLA1509  | 25.4 | 100.000 | 51.509 | 3.6  | 2.0 | 97.624  |
| GLA1986  | 25.4 | 125.000 | 64.386 | 3.3  | 2.0 | 122.822 |



| Part No. | Dia  | EFL      | R       | Tc   | Te  | BFL     |
|----------|------|----------|---------|------|-----|---------|
| GLA1433  | 25.4 | 150.000  | 77.264  | 3.1  | 2.0 | 147.954 |
| GLA1229  | 25.4 | 175.000  | 90.141  | 2.9  | 2.0 | 173.086 |
| GLA1708  | 25.4 | 200.000  | 103.018 | 2.8  | 2.0 | 198.152 |
| GLA1461  | 25.4 | 250.000  | 128.773 | 2.6  | 2.0 | 248.284 |
| GLA1484  | 25.4 | 300.000  | 154.527 | 2.5  | 2.0 | 298.350 |
| GLA1172  | 25.4 | 400.000  | 206.036 | 2.4  | 2.0 | 398.416 |
| GLA1908  | 25.4 | 500.000  | 257.545 | 2.3  | 2.0 | 498.482 |
| GLA1978  | 25.4 | 750.000  | 386.318 | 2.2  | 2.0 | 748.548 |
| GLA1464  | 25.4 | 1000.000 | 515.090 | 2.2  | 2.0 | 998.548 |
| GLA1274  | 30.0 | 40.000   | 20.604  | 9.0  | 2.5 | 34.060  |
| GLA1102  | 30.0 | 50.000   | 25.755  | 7.3  | 2.5 | 45.182  |
| GLA1765  | 30.0 | 75.000   | 38.632  | 5.5  | 2.5 | 71.370  |
| GLA1031  | 30.0 | 100.000  | 51.509  | 4.7  | 2.5 | 96.898  |
| GLA1911  | 30.0 | 120.000  | 61.811  | 4.3  | 2.5 | 117.162 |
| GLA1401  | 50.8 | 60.000   | 30.905  | 16.3 | 3.0 | 49.242  |
| GLA1145  | 50.8 | 75.000   | 38.632  | 12.5 | 3.0 | 66.750  |
| GLA1050  | 50.8 | 100.000  | 51.509  | 9.7  | 3.0 | 93.598  |
| GLA1384  | 50.8 | 125.000  | 64.386  | 8.2  | 3.0 | 119.588 |
| GLA1417  | 50.8 | 150.000  | 77.264  | 7.3  | 3.0 | 145.182 |
| GLA1399  | 50.8 | 175.000  | 90.141  | 6.7  | 3.0 | 170.578 |
| GLA1979  | 50.8 | 200.000  | 103.018 | 6.2  | 3.0 | 195.908 |
| GLA1301  | 50.8 | 250.000  | 128.773 | 5.5  | 3.0 | 246.370 |
| GLA1256  | 50.8 | 300.000  | 154.527 | 5.1  | 3.0 | 296.634 |
| GLA1725  | 50.8 | 400.000  | 206.036 | 4.6  | 3.0 | 396.964 |
| GLA1380  | 50.8 | 500.000  | 257.545 | 4.3  | 3.0 | 497.162 |
| GLA1727  | 50.8 | 750.000  | 386.318 | 3.8  | 3.0 | 747.492 |
| GLA1779  | 50.8 | 1000.000 | 515.090 | 3.6  | 3.0 | 997.624 |
| GLA1740  | 75.0 | 85.000   | 43.783  | 24.2 | 3.0 | 69.027  |
| GLA1238  | 75.0 | 100.000  | 51.509  | 19.2 | 3.0 | 87.327  |
| GLA1002  | 75.0 | 150.000  | 77.264  | 12.7 | 3.0 | 141.618 |
| GLA1353  | 75.0 | 200.000  | 103.018 | 10.1 | 3.0 | 193.334 |



**Specifications**

Material:UV-grade fused silica(China: JGS1)

Design Wavelength:587.6nm

nd:1.45846

Focal Length Tolerance:±1%

Diameter Tolerance:+0.0, -0.1mm

Center Thickness:±0.1mm

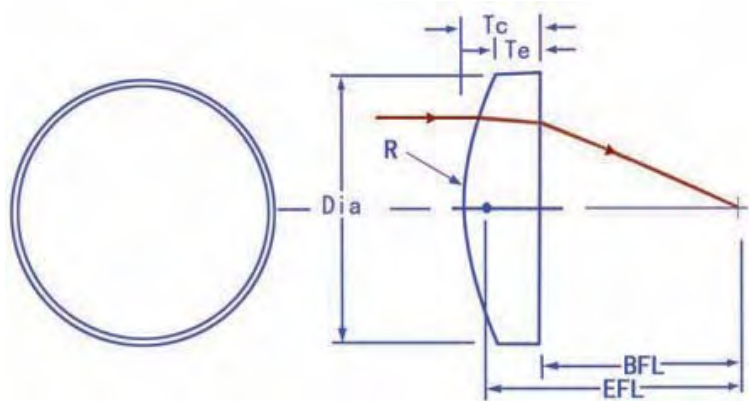
Surface Figure:  $\lambda/2$

Scratch/Dig:40-20

Centration:<3'

Clear Aperture:>90%

Protective Bevel



| Part No. | Dia  | EFL      | R       | Tc   | Te  | BFL     |
|----------|------|----------|---------|------|-----|---------|
| GLA4249  | 5.0  | 10.000   | 4.585   | 2.2  | 1.5 | 8.492   |
| GLA4280  | 6.0  | 10.000   | 4.585   | 2.6  | 1.5 | 8.217   |
| GLA4917  | 6.0  | 15.000   | 6.877   | 2.2  | 1.5 | 13.492  |
| GLA4194  | 6.0  | 20.000   | 9.169   | 2.0  | 1.5 | 18.629  |
| GLA4966  | 6.0  | 30.000   | 13.754  | 1.8  | 1.5 | 28.766  |
| GLA4647  | 12.7 | 20.000   | 9.169   | 4.3  | 1.8 | 17.052  |
| GLA4936  | 12.7 | 30.000   | 13.754  | 3.3  | 1.8 | 27.737  |
| GLA4130  | 12.7 | 40.000   | 18.338  | 2.9  | 1.8 | 38.012  |
| GLA4765  | 12.7 | 50.000   | 22.923  | 2.7  | 1.8 | 48.149  |
| GLA4327  | 12.7 | 75.000   | 34.385  | 2.4  | 1.8 | 73.354  |
| GLA4600  | 12.7 | 100.000  | 45.846  | 2.2  | 1.8 | 98.492  |
| GLA4052  | 25.4 | 35.000   | 16.046  | 8.2  | 2.0 | 29.378  |
| GLA4306  | 25.4 | 40.000   | 18.338  | 7.1  | 2.0 | 35.132  |
| GLA4148  | 25.4 | 50.000   | 22.923  | 5.8  | 2.0 | 46.023  |
| GLA4725  | 25.4 | 75.000   | 34.385  | 4.4  | 2.0 | 71.983  |
| GLA4380  | 25.4 | 100.000  | 45.846  | 3.8  | 2.0 | 97.395  |
| GLA4236  | 25.4 | 125.000  | 57.308  | 3.4  | 2.0 | 122.669 |
| GLA4874  | 25.4 | 150.000  | 68.769  | 3.2  | 2.0 | 147.806 |
| GLA4924  | 25.4 | 175.000  | 80.231  | 3.0  | 2.0 | 172.943 |
| GLA4102  | 25.4 | 200.000  | 91.692  | 2.9  | 2.0 | 198.012 |
| GLA4158  | 25.4 | 250.000  | 114.615 | 2.7  | 2.0 | 248.149 |
| GLA4579  | 25.4 | 300.000  | 137.538 | 2.6  | 2.0 | 298.217 |
| GLA4184  | 25.4 | 500.000  | 229.230 | 2.4  | 2.0 | 498.354 |
| GLA4716  | 25.4 | 750.000  | 343.845 | 2.2  | 2.0 | 748.492 |
| GLA4663  | 25.4 | 1000.000 | 458.460 | 2.2  | 2.0 | 998.492 |
| GLA4464  | 50.8 | 60.000   | 27.508  | 19.8 | 3.0 | 46.424  |



| Part No. | Dia  | EFL      | R       | Tc   | Te  | BFL     |
|----------|------|----------|---------|------|-----|---------|
| GLA4078  | 50.8 | 75.000   | 34.385  | 14.1 | 3.0 | 65.332  |
| GLA4545  | 50.8 | 100.000  | 45.846  | 10.6 | 3.0 | 92.732  |
| GLA4904  | 50.8 | 150.000  | 68.769  | 7.8  | 3.0 | 144.652 |
| GLA4984  | 50.8 | 200.000  | 91.692  | 6.6  | 3.0 | 195.475 |
| GLA4538  | 50.8 | 250.000  | 114.615 | 5.8  | 3.0 | 246.023 |
| GLA4855  | 50.8 | 300.000  | 137.538 | 5.4  | 3.0 | 296.297 |
| GLA4782  | 50.8 | 500.000  | 229.230 | 4.4  | 3.0 | 496.983 |
| GLA4745  | 50.8 | 750.000  | 343.845 | 3.9  | 3.0 | 747.326 |
| GLA4337  | 50.8 | 1000.000 | 458.460 | 3.7  | 3.0 | 997.463 |
| GLA4384  | 75.0 | 90.000   | 41.261  | 26.8 | 3.0 | 71.624  |
| GLA4372  | 75.0 | 150.000  | 68.769  | 14.1 | 3.0 | 140.332 |
| GLA4795  | 75.0 | 200.000  | 91.692  | 11.0 | 3.0 | 192.458 |
| GLA4246  | 75.0 | 500.000  | 229.230 | 6.1  | 3.0 | 495.818 |



## Specifications

Material:CaF2

Design Wavelength:587.6nm

nd:1.433848

Focal Length Tolerance:±1%

Diameter Tolerance:+0.0, -0.1mm

Center Thickness:±0.1mm

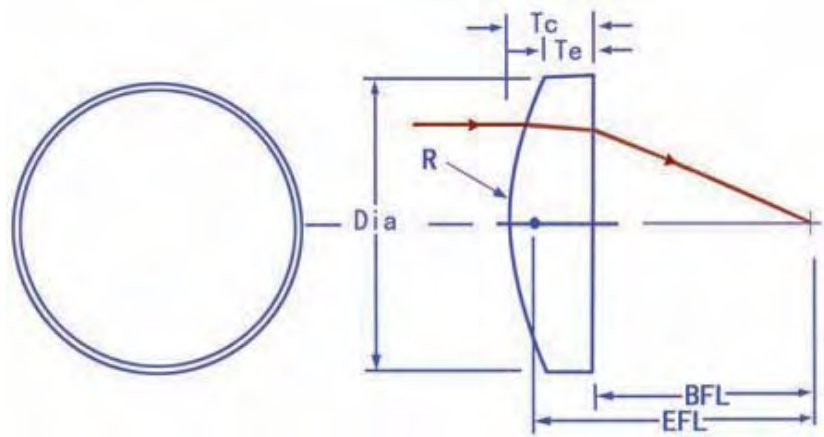
Surface Figure:  $\lambda/2$

Scratch/Dig:60-40

Centration:<3'

Clear Aperture:>90%

Protective Bevel

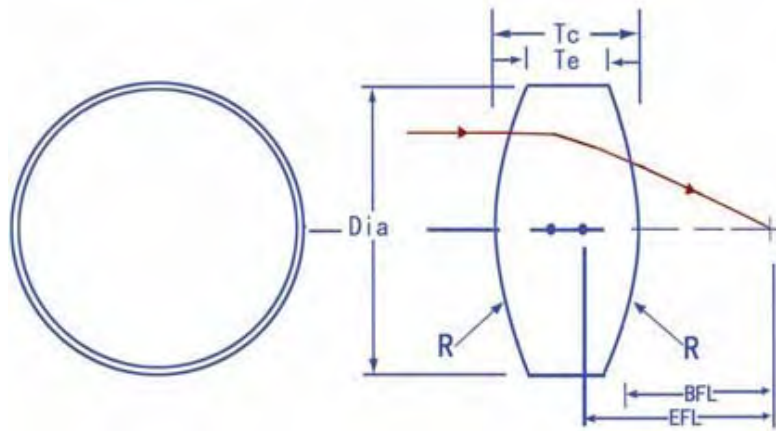


| Part No. | Dia  | EFL      | R       | Tc  | Te  | BFL     |
|----------|------|----------|---------|-----|-----|---------|
| GLA5315  | 12.7 | 20.000   | 8.677   | 4.3 | 1.5 | 17.001  |
| GLA5183  | 12.7 | 50.000   | 21.692  | 2.5 | 1.5 | 48.256  |
| GLA5458  | 12.7 | 80.000   | 34.708  | 2.1 | 1.5 | 78.535  |
| GLA5370  | 25.4 | 40.000   | 17.354  | 7.5 | 2.0 | 34.769  |
| GLA5763  | 25.4 | 50.000   | 21.692  | 6.1 | 2.0 | 45.746  |
| GLA5042  | 25.4 | 75.000   | 32.539  | 4.6 | 2.0 | 71.792  |
| GLA5817  | 25.4 | 100.000  | 43.385  | 3.9 | 2.0 | 97.280  |
| GLA5012  | 25.4 | 150.000  | 65.077  | 3.3 | 2.0 | 147.699 |
| GLA5714  | 25.4 | 200.000  | 86.770  | 2.9 | 2.0 | 197.977 |
| GLA5255  | 25.4 | 250.000  | 108.462 | 2.7 | 2.0 | 248.117 |
| GLA5464  | 25.4 | 500.000  | 216.924 | 2.4 | 2.0 | 498.326 |
| GLA5956  | 25.4 | 750.000  | 325.386 | 2.2 | 2.0 | 748.466 |
| GLA5835  | 25.4 | 1000.000 | 433.848 | 2.2 | 2.0 | 998.466 |



**Specifications**

Material: BK7  
 Design Wavelength: 632.8nm  
 nd: 1.51509  
 Focal Length Tolerance:  $\pm 1\%$   
 Diameter Tolerance: +0.0, -0.1mm  
 Center Thickness:  $\pm 0.1$ mm  
 Surface Figure:  $\lambda/2$   
 Scratch/Dig: 40-20  
 Centration:  $< 3'$   
 Clear Aperture:  $> 90\%$   
 Protective Bevel



| Part No. | Dia  | EFL     | R       | Tc  | Te  | BFL     |
|----------|------|---------|---------|-----|-----|---------|
| GLB1157  | 6.0  | 10.000  | 9.876   | 2.4 | 1.5 | 9.174   |
| GLB1406  | 6.0  | 12.000  | 11.958  | 2.3 | 1.5 | 11.215  |
| GLB1987  | 6.0  | 15.000  | 15.087  | 2.1 | 1.5 | 14.290  |
| GLB1198  | 6.0  | 30.000  | 30.596  | 1.8 | 1.5 | 29.400  |
| GLB1494  | 9.0  | 12.000  | 11.716  | 3.6 | 1.8 | 10.746  |
| GLB1212  | 9.0  | 20.000  | 20.116  | 2.8 | 1.8 | 19.053  |
| GLB1092  | 12.7 | 15.000  | 14.608  | 4.7 | 1.8 | 13.360  |
| GLB1450  | 12.7 | 20.000  | 19.918  | 3.9 | 1.8 | 18.669  |
| GLB1014  | 12.7 | 25.000  | 25.163  | 3.4 | 1.8 | 23.852  |
| GLB1258  | 12.7 | 30.000  | 30.369  | 3.1 | 1.8 | 28.959  |
| GLB1378  | 12.7 | 40.000  | 40.726  | 2.8 | 1.8 | 39.065  |
| GLB1844  | 12.7 | 50.000  | 51.063  | 2.6 | 1.8 | 49.134  |
| GLB1187  | 12.7 | 100.000 | 102.643 | 2.2 | 1.8 | 99.272  |
| GLB1761  | 25.4 | 25.000  | 24.121  | 9.0 | 1.9 | 21.829  |
| GLB1757  | 25.4 | 30.000  | 29.536  | 7.7 | 2.0 | 27.341  |
| GLB1811  | 25.4 | 35.000  | 34.861  | 6.8 | 2.2 | 32.679  |
| GLB1027  | 25.4 | 40.000  | 40.143  | 6.1 | 2.0 | 37.934  |
| GLB1471  | 25.4 | 50.000  | 50.609  | 5.2 | 2.0 | 48.253  |
| GLB1596  | 25.4 | 60.000  | 61.001  | 4.7 | 2.0 | 58.428  |
| GLB1901  | 25.4 | 75.000  | 76.560  | 4.1 | 2.0 | 73.634  |
| GLB1676  | 25.4 | 100.000 | 102.402 | 3.6 | 2.0 | 98.804  |
| GLB1904  | 25.4 | 125.000 | 128.209 | 3.3 | 2.0 | 123.906 |
| GLB1437  | 25.4 | 150.000 | 153.998 | 3.1 | 2.0 | 148.973 |
| GLB1294  | 25.4 | 175.000 | 179.787 | 2.9 | 2.0 | 174.040 |
| GLB1945  | 25.4 | 200.000 | 205.559 | 2.8 | 2.0 | 199.074 |
| GLB1056  | 25.4 | 250.000 | 257.102 | 2.6 | 2.0 | 249.140 |



| Part No. | Dia  | EFL      | R        | Tc   | Te  | BFL     |
|----------|------|----------|----------|------|-----|---------|
| GLB1779  | 25.4 | 300.000  | 308.628  | 2.5  | 2.0 | 299.173 |
| GLB1391  | 25.4 | 400.000  | 411.664  | 2.4  | 2.0 | 399.208 |
| GLB1869  | 25.4 | 500.000  | 514.699  | 2.3  | 2.0 | 499.241 |
| GLB1475  | 25.4 | 750.000  | 772.261  | 2.2  | 2.0 | 749.274 |
| GLB1409  | 25.4 | 1000.000 | 1029.806 | 2.2  | 2.0 | 999.274 |
| GLB1723  | 50.8 | 60.000   | 59.258   | 14.4 | 3.0 | 55.044  |
| GLB1309  | 50.8 | 75.000   | 75.203   | 11.8 | 3.0 | 70.999  |
| GLB1630  | 50.8 | 100.000  | 101.377  | 9.5  | 3.0 | 96.814  |
| GLB1106  | 50.8 | 125.000  | 127.381  | 8.1  | 3.0 | 122.298 |
| GLB1374  | 50.8 | 150.000  | 153.293  | 7.2  | 3.0 | 147.605 |
| GLB1607  | 50.8 | 175.000  | 179.153  | 6.6  | 3.0 | 172.809 |
| GLB1199  | 50.8 | 200.000  | 204.977  | 6.2  | 3.0 | 197.944 |
| GLB1889  | 50.8 | 250.000  | 256.607  | 5.5  | 3.0 | 248.179 |
| GLB1917  | 50.8 | 300.000  | 308.185  | 5.1  | 3.0 | 298.313 |
| GLB1862  | 50.8 | 400.000  | 411.289  | 4.6  | 3.0 | 398.479 |
| GLB1909  | 50.8 | 500.000  | 514.358  | 4.3  | 3.0 | 498.579 |
| GLB1247  | 50.8 | 750.000  | 771.988  | 3.8  | 3.0 | 748.744 |
| GLB1859  | 50.8 | 1000.000 | 1029.568 | 3.6  | 3.0 | 998.812 |



**Specifications**

Material: UV-grade fused silica(China: JGS1)

Design Wavelength:587.6nm

nd:1.45846

Focal Length Tolerance:±1%

Diameter Tolerance:+0.0, -0.1mm

Center Thickness:±0.1mm

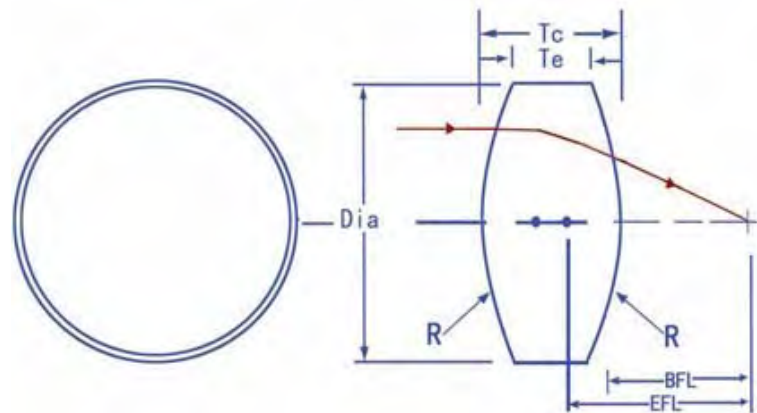
Surface Figure:  $\lambda/2$

Scratch/Dig:40-20

Centration:<3'

Clear Aperture:>90%

Protective Bevel



| Part No. | Dia  | EFL      | R       | Tc   | Te  | BFL     |
|----------|------|----------|---------|------|-----|---------|
| GLB4743  | 5.0  | 10.000   | 8.810   | 2.2  | 1.5 | 9.215   |
| GLB4280  | 6.0  | 10.000   | 8.741   | 2.6  | 1.5 | 9.065   |
| GLB4537  | 6.0  | 15.000   | 13.399  | 2.2  | 1.5 | 14.226  |
| GLB4738  | 6.0  | 20.000   | 18.019  | 2.0  | 1.5 | 19.303  |
| GLB4209  | 6.0  | 30.000   | 27.222  | 1.8  | 1.5 | 29.377  |
| GLB4854  | 12.7 | 20.000   | 17.653  | 4.2  | 1.8 | 18.505  |
| GLB4003  | 12.7 | 30.000   | 26.979  | 3.3  | 1.8 | 28.847  |
| GLB4700  | 12.7 | 40.000   | 36.215  | 2.9  | 1.8 | 38.993  |
| GLB4915  | 12.7 | 50.000   | 45.418  | 2.7  | 1.8 | 49.066  |
| GLB4436  | 12.7 | 75.000   | 68.390  | 2.4  | 1.8 | 74.173  |
| GLB4627  | 12.7 | 100.000  | 91.345  | 2.2  | 1.8 | 99.243  |
| GLB4879  | 25.4 | 35.000   | 30.884  | 7.4  | 2.0 | 32.364  |
| GLB4030  | 25.4 | 40.000   | 35.592  | 6.7  | 2.0 | 37.633  |
| GLB4096  | 25.4 | 50.000   | 44.932  | 5.7  | 2.0 | 48.006  |
| GLB4330  | 25.4 | 75.000   | 68.070  | 4.4  | 2.0 | 73.476  |
| GLB4941  | 25.4 | 100.000  | 91.091  | 3.8  | 2.0 | 98.689  |
| GLB4913  | 25.4 | 125.000  | 114.078 | 3.4  | 2.0 | 123.829 |
| GLB4265  | 25.4 | 150.000  | 137.033 | 3.2  | 2.0 | 148.899 |
| GLB4530  | 25.4 | 175.000  | 159.988 | 3.0  | 2.0 | 173.968 |
| GLB4282  | 25.4 | 200.000  | 182.927 | 2.9  | 2.0 | 199.003 |
| GLB4837  | 25.4 | 250.000  | 228.805 | 2.7  | 2.0 | 249.073 |
| GLB4545  | 25.4 | 300.000  | 274.667 | 2.6  | 2.0 | 299.108 |
| GLB4453  | 25.4 | 500.000  | 458.083 | 2.4  | 2.0 | 499.177 |
| GLB4223  | 25.4 | 750.000  | 687.344 | 2.2  | 2.0 | 749.245 |
| GLB4374  | 25.4 | 1000.000 | 916.574 | 2.2  | 2.0 | 999.245 |
| GLB4592  | 50.8 | 60.000   | 52.443  | 15.6 | 2.5 | 54.390  |

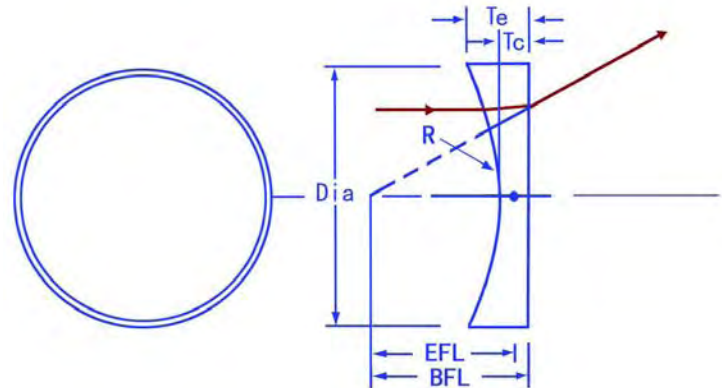


| Part No. | Dia  | EFL      | R       | Tc   | Te  | BFL     |
|----------|------|----------|---------|------|-----|---------|
| GLB4553  | 50.8 | 75.000   | 66.745  | 12.5 | 2.5 | 70.585  |
| GLB4821  | 50.8 | 100.000  | 90.044  | 10.3 | 3.0 | 96.405  |
| GLB4140  | 50.8 | 150.000  | 136.301 | 7.8  | 3.0 | 147.302 |
| GLB4842  | 50.8 | 200.000  | 182.357 | 6.5  | 3.0 | 197.759 |
| GLB4972  | 50.8 | 250.000  | 228.315 | 5.8  | 3.0 | 248.004 |
| GLB4710  | 50.8 | 300.000  | 274.225 | 5.4  | 3.0 | 298.143 |
| GLB4910  | 50.8 | 500.000  | 457.767 | 4.4  | 3.0 | 498.489 |
| GLB4865  | 50.8 | 750.000  | 687.077 | 3.9  | 3.0 | 748.662 |
| GLB4293  | 50.8 | 1000.000 | 916.338 | 3.7  | 3.0 | 998.731 |



**Specifications**

Material: BK7  
 Design Wavelength: 632.8nm  
 nd: 1.51509  
 Focal Length Tolerance:  $\pm 1\%$   
 Diameter Tolerance: +0.0, -0.1mm  
 Center Thickness:  $\pm 0.1$ mm  
 Surface Figure:  $\lambda/2$   
 Scratch/Dig: 40-20  
 Centration:  $< 3'$   
 Clear Aperture:  $> 90\%$   
 Protective Bevel



| Part No. | Dia  | EFL      | R       | Tc  | Te   | BFL      |
|----------|------|----------|---------|-----|------|----------|
| GLC1035  | 6.0  | -18.000  | -9.272  | 2.0 | 2.5  | -19.320  |
| GLC1975  | 6.0  | -24.000  | -12.362 | 2.0 | 2.4  | -25.320  |
| GLC1906  | 9.0  | -27.000  | -13.907 | 2.0 | 2.7  | -28.320  |
| GLC1054  | 12.7 | -25.000  | -12.877 | 3.0 | 4.7  | -26.980  |
| GLC1060  | 12.7 | -30.000  | -15.453 | 3.0 | 4.4  | -31.980  |
| GLC1439  | 12.7 | -50.000  | -25.755 | 3.5 | 4.3  | -52.310  |
| GLC1715  | 25.4 | -50.000  | -25.755 | 3.5 | 6.9  | -52.310  |
| GLC1582  | 25.4 | -75.000  | -38.632 | 3.5 | 5.6  | -77.310  |
| GLC1120  | 25.4 | -100.000 | -51.509 | 4.0 | 5.6  | -102.640 |
| GLC1315  | 50.8 | -75.000  | -38.632 | 3.5 | 13.0 | -77.310  |
| GLC1093  | 50.8 | -100.000 | -51.509 | 4.0 | 10.7 | -102.640 |
| GLC1611  | 50.8 | -150.000 | -77.264 | 4.0 | 8.3  | -152.640 |



**Specifications**

Material: UV-grade fused silica(China: JGS1)

Design Wavelength:587.6nm

nd:1.45846

Focal Length Tolerance:±1%

Diameter Tolerance:+0.0, -0.1mm

Center Thickness:±0.1mm

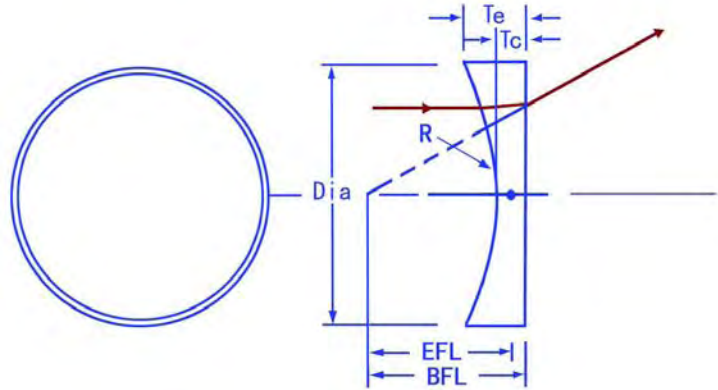
Surface Figure:  $\lambda/2$

Scratch/Dig:40-20

Centration:<3'

Clear Aperture:>90%

Protective Bevel



| Part No. | Dia  | EFL      | R       | Tc  | Te   | BFL      |
|----------|------|----------|---------|-----|------|----------|
| GLC4573  | 6.0  | -10.000  | -4.585  | 2.0 | 3.1  | -11.371  |
| GLC4291  | 8.0  | -12.000  | -5.502  | 2.0 | 3.7  | -13.371  |
| GLC4924  | 12.7 | -20.000  | -9.169  | 2.0 | 4.5  | -21.371  |
| GLC4210  | 12.7 | -25.000  | -11.462 | 3.0 | 4.9  | -27.057  |
| GLC4796  | 12.7 | -30.000  | -13.754 | 3.0 | 4.5  | -32.057  |
| GLC4357  | 12.7 | -50.000  | -22.923 | 3.5 | 4.4  | -52.400  |
| GLC4413  | 12.7 | -75.000  | -34.385 | 3.5 | 4.1  | -77.400  |
| GLC4232  | 12.7 | -100.000 | -45.846 | 3.5 | 3.9  | -102.400 |
| GLC4918  | 12.7 | -200.000 | -91.692 | 4.0 | 4.2  | -202.743 |
| GLC4252  | 25.4 | -30.000  | -13.754 | 3.0 | 11.4 | -32.057  |
| GLC4027  | 25.4 | -50.000  | -22.923 | 3.0 | 6.8  | -52.057  |
| GLC4513  | 25.4 | -75.000  | -34.385 | 3.5 | 5.9  | -77.400  |
| GLC4888  | 25.4 | -100.000 | -45.846 | 3.5 | 5.3  | -102.400 |
| GLC4425  | 50.8 | -75.000  | -34.385 | 3.5 | 14.6 | -77.400  |
| GLC4743  | 50.8 | -100.000 | -45.846 | 4.0 | 11.6 | -102.743 |
| GLC4869  | 50.8 | -150.000 | -68.769 | 4.0 | 8.8  | -152.743 |



**Specifications**

Material:CaF2

Design Wavelength:587.6nm

nd:1.433848

Focal Length Tolerance:±1%

Diameter Tolerance:+0.0, -0.1mm

Center Thickness:±0.1mm

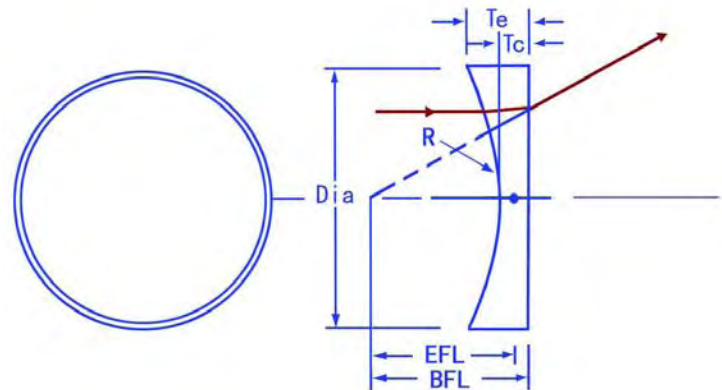
Surface Figure: λ /2

Scratch/Dig:60-40

Centration:<3'

Clear Aperture:>90%

Protective Bevel

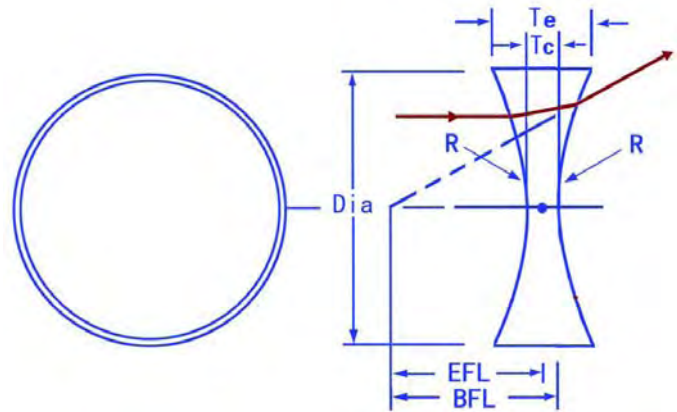


| Part No. | Dia  | EFL      | R        | Tc  | Te  | BFL      |
|----------|------|----------|----------|-----|-----|----------|
| GLC5919  | 12.7 | -18.000  | -7.809   | 2.0 | 5.3 | -19.395  |
| GLC5749  | 12.7 | -25.000  | -10.846  | 2.5 | 4.6 | -26.744  |
| GLC5269  | 25.4 | -40.000  | -17.354  | 2.0 | 7.5 | -41.395  |
| GLC5401  | 25.4 | -75.000  | -32.539  | 2.5 | 5.1 | -76.744  |
| GLC5289  | 25.4 | -100.000 | -43.385  | 3.0 | 4.9 | -102.092 |
| GLC5952  | 25.4 | -200.000 | -86.770  | 3.5 | 4.4 | -202.441 |
| GLC5893  | 25.4 | -500.000 | -216.924 | 4.0 | 4.4 | -502.790 |



**Specifications**

Material: BK7  
 Design Wavelength: 632.8nm  
 nd: 1.51509  
 Focal Length Tolerance:  $\pm 1\%$   
 Diameter Tolerance: +0.0, -0.1mm  
 Center Thickness:  $\pm 0.1$ mm  
 Surface Figure:  $\lambda/2$   
 Scratch/Dig: 40-20  
 Centration:  $< 3'$   
 Clear Aperture:  $> 90\%$   
 Protective Bevel



| Part No. | Dia  | EFL      | R        | Tc  | Te  | BFL      |
|----------|------|----------|----------|-----|-----|----------|
| GLD1569  | 12.7 | -25.000  | -26.179  | 2.5 | 4.1 | -25.823  |
| GLD1903  | 12.7 | -30.000  | -31.408  | 3.0 | 4.3 | -30.975  |
| GLD1357  | 12.7 | -50.000  | -52.101  | 3.5 | 4.3 | -51.149  |
| GLD1464  | 25.4 | -50.000  | -52.006  | 3.0 | 6.1 | -50.964  |
| GLD1170  | 25.4 | -75.000  | -77.856  | 3.5 | 5.6 | -76.150  |
| GLD1613  | 25.4 | -100.000 | -103.700 | 4.0 | 5.6 | -101.323 |



## Specifications

Material: UV-grade fused silica(China: JGS1)

Design Wavelength:587.6nm

nd:1.45846

Focal Length Tolerance:±1%

Diameter Tolerance:+0.0, -0.1mm

Center Thickness:±0.1mm

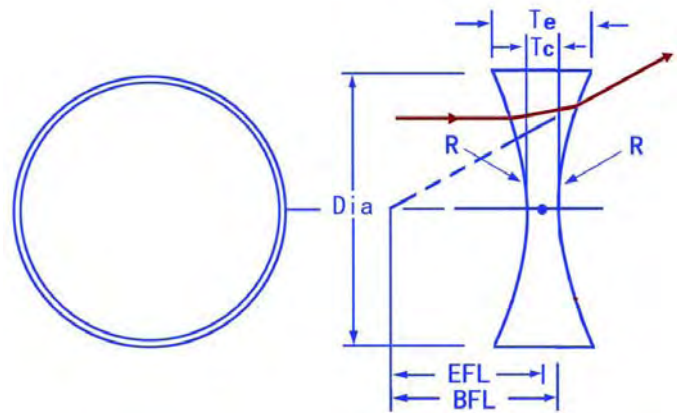
Surface Figure:  $\lambda/2$

Scratch/Dig:40-20

Centration:<3'

Clear Aperture:>90%

Protective Bevel



| Part No. | Dia  | EFL      | R       | Tc  | Te   | BFL      |
|----------|------|----------|---------|-----|------|----------|
| GLD4797  | 6.0  | -6.000   | -5.863  | 2.4 | 4.1  | -6.788   |
| GLD4148  | 6.0  | -12.000  | -11.456 | 3.0 | 3.8  | -12.988  |
| GLD4271  | 9.0  | -9.000   | -8.623  | 2.5 | 5.0  | -9.809   |
| GLD4014  | 9.0  | -18.000  | -16.961 | 3.0 | 4.2  | -18.996  |
| GLD4771  | 12.7 | -15.000  | -14.211 | 3.0 | 6.0  | -15.997  |
| GLD4650  | 12.7 | -25.000  | -23.392 | 3.0 | 4.8  | -26.023  |
| GLD4269  | 12.7 | -30.000  | -27.977 | 3.0 | 4.5  | -31.024  |
| GLD4511  | 12.7 | -50.000  | -46.317 | 3.0 | 3.9  | -51.027  |
| GLD4931  | 25.4 | -25.000  | -23.386 | 3.0 | 10.5 | -26.009  |
| GLD4293  | 25.4 | -50.000  | -46.383 | 3.5 | 7.0  | -51.171  |
| GLD4735  | 25.4 | -75.000  | -69.308 | 3.5 | 5.8  | -76.175  |
| GLD4103  | 25.4 | -100.000 | -92.246 | 3.5 | 5.3  | -101.208 |



**Specifications**

Material:CaF2

Design Wavelength:587.6nm

nd:1.433848

Focal Length Tolerance:±1%

Diameter Tolerance:+0.0, -0.1mm

Center Thickness:±0.1mm

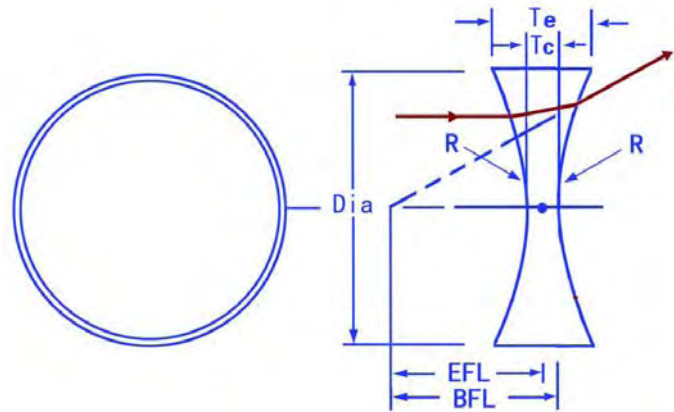
Surface Figure: λ /2

Scratch/Dig:40-20

Centration:<3'

Clear Aperture:>90%

Protective Bevel

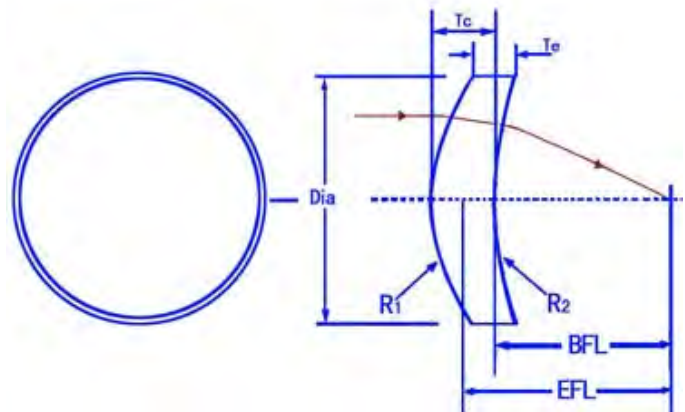


| Part No. | Dia  | EFL     | R       | Tc  | Te  | BFL     |
|----------|------|---------|---------|-----|-----|---------|
| GLD5451  | 12.7 | -15.000 | -13.383 | 2.5 | 5.7 | -15.847 |
| GLD5788  | 12.7 | -25.000 | -22.143 | 3.0 | 4.9 | -26.038 |
| GLD5138  | 25.4 | -30.000 | -26.402 | 2.5 | 9.0 | -30.856 |
| GLD5313  | 25.4 | -50.000 | -43.840 | 3.0 | 6.8 | -51.049 |



**Specifications**

Material: BK7  
 Design Wavelength: 632.8nm  
 nd: 1.51509  
 Focal Length Tolerance:  $\pm 1\%$   
 Diameter Tolerance: +0.0, -0.1mm  
 Center Thickness:  $\pm 0.1$ mm  
 Surface Figure:  $\lambda/2$   
 Scratch/Dig: 40-20  
 Centration:  $< 3'$   
 Clear Aperture:  $> 90\%$   
 Protective Bevel



| Part No. | Dia  | EFL     | R1     | R2       | Tc  | Te  | BFL     |
|----------|------|---------|--------|----------|-----|-----|---------|
| GLE1234  | 25.4 | 100.00  | 32.18  | 82.494   | 3.6 | 2.0 | 96.199  |
| GLE1156  | 25.4 | 125.00  | 40.60  | 106.856  | 3.3 | 2.0 | 121.552 |
| GLE1104  | 25.4 | 150.00  | 49.10  | 131.810  | 3.1 | 2.0 | 146.782 |
| GLE1202  | 25.4 | 200.00  | 66.20  | 182.570  | 2.8 | 2.0 | 197.123 |
| GLE1157  | 25.4 | 250.00  | 83.40  | 234.190  | 2.6 | 2.0 | 247.352 |
| GLE1929  | 25.4 | 300.00  | 100.90 | 288.300  | 2.5 | 2.0 | 297.472 |
| GLE1872  | 25.4 | 400.00  | 136.50 | 402.030  | 2.4 | 2.0 | 397.612 |
| GLE1261  | 25.4 | 500.00  | 172.90 | 523.700  | 2.3 | 2.0 | 497.738 |
| GLE1458  | 25.4 | 1000.00 | 371.60 | 1331.250 | 2.2 | 2.0 | 997.991 |
| GLE1076  | 50.8 | 100.00  | 32.27  | 77.570   | 9.7 | 1.1 | 89.785  |
| GLE1527  | 50.8 | 125.00  | 39.20  | 93.090   | 8.2 | 2.4 | 116.111 |
| GLE1418  | 50.8 | 150.00  | 47.90  | 119.510  | 7.3 | 2.7 | 142.231 |
| GLE1015  | 50.8 | 200.00  | 65.20  | 171.870  | 6.2 | 2.9 | 193.535 |
| GLE1613  | 50.8 | 250.00  | 82.50  | 224.390  | 5.5 | 3.0 | 244.335 |
| GLE1985  | 50.8 | 300.00  | 100.10 | 279.280  | 5.1 | 3.0 | 294.805 |
| GLE1359  | 50.8 | 400.00  | 135.80 | 393.380  | 5.0 | 3.4 | 394.996 |
| GLE1153  | 50.8 | 500.00  | 172.30 | 515.420  | 5.0 | 3.7 | 495.071 |
| GLE1834  | 50.8 | 1000.00 | 375.00 | 1372.580 | 5.0 | 4.4 | 995.467 |



**Specifications**

Material: UV-grade fused silica(China: JGS1)

Design Wavelength:587.6nm

nd:1.45846

Focal Length Tolerance:±1%

Diameter Tolerance:+0.0, -0.1mm

Center Thickness:±0.1mm

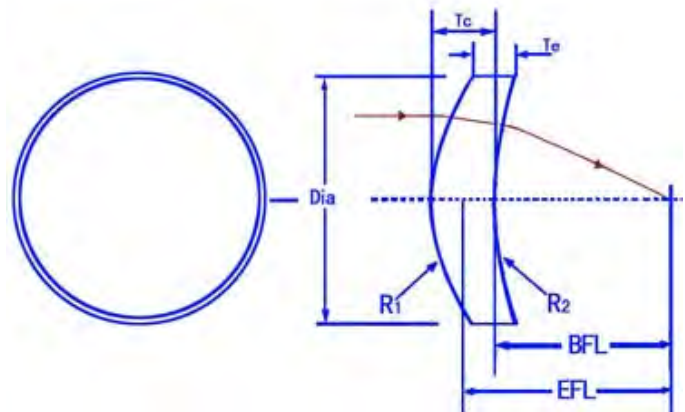
Surface Figure:  $\lambda/2$

Scratch/Dig:40-20

Centration:<3'

Clear Aperture:>90%

Protective Bevel

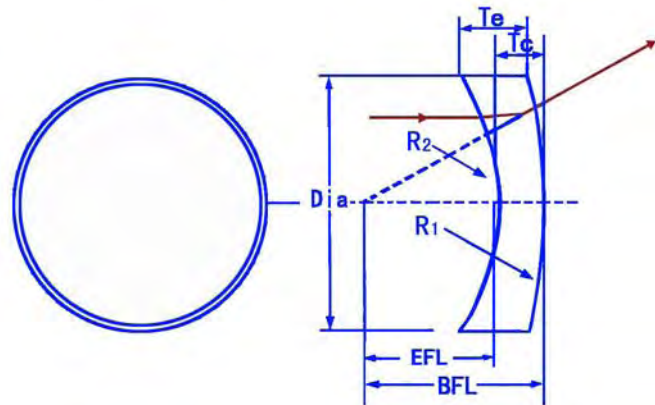


| Part No. | Dia  | EFL     | R1      | R2       | Tc   | Te  | BFL     |
|----------|------|---------|---------|----------|------|-----|---------|
| GLE4173  | 25.4 | 100.00  | 31.000  | 91.848   | 4.0  | 2.2 | 95.944  |
| GLE4197  | 25.4 | 150.00  | 47.600  | 151.365  | 3.2  | 2.0 | 146.830 |
| GLE4467  | 25.4 | 200.00  | 64.200  | 211.080  | 2.9  | 2.0 | 197.161 |
| GLE4329  | 25.4 | 300.00  | 97.600  | 333.300  | 2.6  | 2.0 | 297.487 |
| GLE4484  | 25.4 | 500.00  | 166.800 | 609.685  | 2.4  | 2.0 | 497.738 |
| GLE4950  | 25.4 | 1000.00 | 348.300 | 1446.665 | 2.2  | 2.0 | 998.014 |
| GLE4412  | 50.8 | 100.00  | 30.600  | 81.902   | 10.7 | 1.2 | 89.008  |
| GLE4125  | 50.8 | 150.00  | 46.500  | 136.025  | 7.8  | 2.7 | 142.091 |
| GLE4560  | 50.8 | 200.00  | 63.000  | 194.700  | 6.6  | 2.9 | 193.414 |
| GLE4984  | 50.8 | 300.00  | 97.600  | 330.267  | 5.4  | 3.0 | 294.783 |
| GLE4150  | 50.8 | 500.00  | 165.400 | 588.350  | 5.0  | 3.6 | 495.249 |
| GLE4822  | 50.8 | 1000.00 | 355.950 | 1584.900 | 5.0  | 4.3 | 995.585 |



**Specifications**

Material: BK7  
 Design Wavelength: 632.8nm  
 nd: 1.51509  
 Focal Length Tolerance:  $\pm 1\%$   
 Diameter Tolerance: +0.0, -0.1mm  
 Center Thickness:  $\pm 0.1$ mm  
 Surface Figure:  $\lambda/2$   
 Scratch/Dig: 40-20  
 Centration:  $< 3'$   
 Clear Aperture:  $> 90\%$   
 Protective Bevel

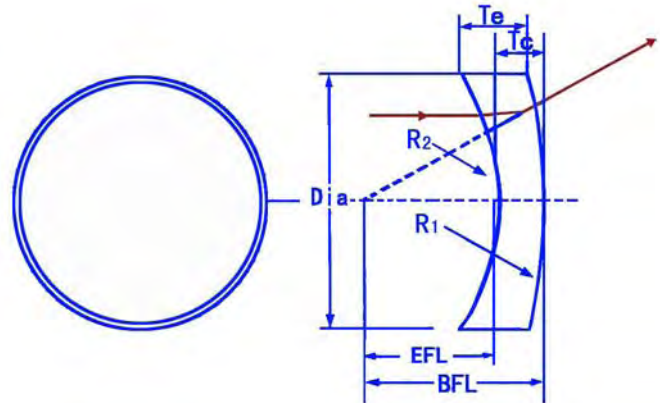


| Part No. | Dia  | EFL      | R1      | R2      | Tc  | Te   | BFL      |
|----------|------|----------|---------|---------|-----|------|----------|
| GLF1822  | 25.4 | -100.00  | 100.000 | 33.650  | 3.0 | 4.7  | -98.978  |
| GLF1510  | 25.4 | -125.00  | 100.000 | 38.768  | 3.0 | 4.3  | -123.725 |
| GLF1547  | 25.4 | -150.00  | 100.000 | 43.142  | 3.0 | 4.1  | -148.469 |
| GLF1097  | 25.4 | -200.00  | 100.000 | 50.226  | 3.0 | 3.8  | -197.963 |
| GLF1774  | 25.4 | -250.00  | 100.000 | 55.714  | 3.0 | 3.7  | -247.448 |
| GLF1015  | 25.4 | -300.00  | 250.000 | 95.109  | 3.0 | 3.5  | -298.777 |
| GLF1544  | 25.4 | -400.00  | 250.000 | 112.489 | 3.0 | 3.4  | -398.372 |
| GLF1988  | 25.4 | -500.00  | 250.000 | 126.341 | 3.0 | 3.3  | -497.964 |
| GLF1141  | 25.4 | -1000.00 | 500.000 | 253.199 | 3.0 | 3.2  | -997.962 |
| GLF1764  | 50.8 | -100.00  | 200.000 | 40.613  | 5.0 | 12.3 | -99.154  |
| GLF1736  | 50.8 | -125.00  | 200.000 | 48.292  | 5.0 | 10.6 | -123.937 |
| GLF1829  | 50.8 | -150.00  | 200.000 | 55.212  | 5.5 | 9.6  | -148.599 |
| GLF1338  | 50.8 | -200.00  | 200.000 | 67.417  | 5.0 | 8.4  | -198.302 |
| GLF1269  | 50.8 | -250.00  | 200.000 | 77.670  | 5.0 | 7.7  | -247.879 |
| GLF1129  | 50.8 | -300.00  | 300.000 | 101.413 | 5.0 | 7.2  | -298.296 |
| GLF1115  | 50.8 | -400.00  | 300.000 | 121.455 | 5.0 | 6.6  | -397.735 |
| GLF1089  | 50.8 | -500.00  | 300.000 | 137.793 | 5.0 | 6.3  | -497.170 |
| GLF1591  | 50.8 | -1000.00 | 500.000 | 252.854 | 5.0 | 5.6  | -996.603 |



**Specifications**

Material: UV-grade fused silica(China: JGS1)  
 Design Wavelength:587.6nm  
 nd:1.45846  
 Focal Length Tolerance:±1%  
 Diameter Tolerance:+0.0, -0.1mm  
 Center Thickness:±0.1mm  
 Surface Figure:  $\lambda/2$   
 Scratch/Dig:40-20  
 Centration:<3'  
 Clear Aperture:>90%  
 Protective Bevel

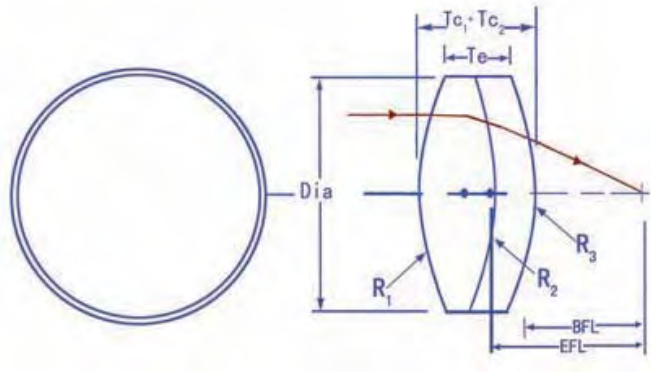


| Part No. | Dia  | EFL      | R1      | R2      | Tc  | Te   | BFL      |
|----------|------|----------|---------|---------|-----|------|----------|
| GLF4938  | 25.4 | -100.00  | 150.000 | 34.893  | 3.0 | 4.9  | -99.371  |
| GLF4370  | 25.4 | -150.00  | 150.000 | 46.855  | 3.0 | 4.2  | -149.057 |
| GLF4624  | 25.4 | -200.00  | 150.000 | 56.489  | 3.5 | 4.4  | -198.534 |
| GLF4348  | 25.4 | -300.00  | 150.000 | 71.223  | 3.5 | 4.1  | -297.799 |
| GLF4706  | 25.4 | -500.00  | 200.000 | 106.222 | 3.5 | 3.9  | -497.249 |
| GLF4986  | 25.4 | -1000.00 | 300.000 | 180.578 | 4.0 | 4.2  | -995.809 |
| GLF4315  | 50.8 | -100.00  | 200.000 | 37.004  | 5.0 | 13.4 | -99.214  |
| GLF4101  | 50.8 | -150.00  | 200.000 | 50.771  | 5.0 | 10.2 | -148.821 |
| GLF4328  | 50.8 | -200.00  | 200.000 | 62.375  | 5.0 | 8.8  | -198.428 |
| GLF4929  | 50.8 | -300.00  | 250.000 | 88.168  | 5.0 | 7.4  | -298.113 |
| GLF4329  | 50.8 | -500.00  | 300.000 | 129.261 | 5.0 | 6.4  | -497.380 |
| GLF4246  | 50.8 | -1000.00 | 300.000 | 180.388 | 5.0 | 5.7  | -994.761 |



**Specifications**

- Materail: BK7, ZF2, ZF7
- Design Wavelength: 486. 1nm, 587. 6nm, 656. 3nm
- Focal Length Tolerance:  $\pm 1\%$
- Diameter Tolerance:  $+0. 0, -0. 1\text{mm}$
- Center Thickness:  $\pm 0. 1\text{mm}$
- Surface Figure:  $\lambda / 2$
- Scratch/Dig: 40-20
- Centration:  $< 3'$
- Clear Aperture:  $> 90\%$
- Protective Bevel
- Coating: A: 350-650nm B: 650-1050nm C: 1050-1580nm



| Part No.  | Dia  | EFL  | Lens1    |      |      | Lens2    |       |      | Achromatic Lens |      |
|-----------|------|------|----------|------|------|----------|-------|------|-----------------|------|
|           |      |      | Materail | Tc1  | Te1  | Materail | Tc2   | Te2  | Tc              | Te   |
| GLAC016-A | 5    | 10   | BK7      | 2.5  | 1.19 | ZF2      | 1.00  | 1.52 | 3.50            | 2.71 |
| GLAC016-B | 5    | 10   | BK7      | 2.5  | 1.3  | ZF7      | 1.00  | 1.36 | 3.50            | 2.66 |
| GLAC016-C | 5    | 10   | BK7      | 2.5  | 1.3  | ZF7      | 1.00  | 1.36 | 3.50            | 2.66 |
| GLAC960-A | 5    | 15   | BK7      | 2.0  | 1.15 | ZF2      | 1.00  | 1.33 | 3.00            | 2.48 |
| GLAC960-B | 5    | 15   | BK7      | 2.0  | 1.20 | ZF7      | 1.00  | 1.25 | 3.00            | 2.45 |
| GLAC960-C | 5    | 15   | BK7      | 2.0  | 1.20 | ZF7      | 1.00  | 1.25 | 3.00            | 2.45 |
| GLAC858-A | 6    | 10   | BK7      | 3.0  | 1.04 | ZF2      | 1.00  | 1.80 | 4.00            | 2.84 |
| GLAC858-B | 6    | 10   | BK7      | 3.0  | 1.22 | ZF7      | 1.00  | 1.54 | 4.00            | 2.76 |
| GLAC858-C | 6    | 10   | BK7      | 3.0  | 1.22 | ZF7      | 1.00  | 1.54 | 4.00            | 2.76 |
| GLAC849-A | 6.35 | 12.7 | BK7      | 2.50 | 0.89 | ZF2      | 1.20  | 1.82 | 3.70            | 2.71 |
| GLAC849-B | 6.35 | 12.7 | BK7      | 2.50 | 1.57 | ZF7      | 1.20  | 1.69 | 3.70            | 3.26 |
| GLAC849-C | 6.35 | 12.7 | BK7      | 2.50 | 1.57 | ZF7      | 1.20  | 1.69 | 3.70            | 3.26 |
| GLAC149-A | 6.35 | 15   | BK7      | 2.50 | 1.15 | ZF2      | 1.20  | 1.72 | 3.70            | 2.87 |
| GLAC149-B | 6.35 | 15   | BK7      | 2.50 | 1.21 | ZF7      | 1.20  | 1.60 | 3.70            | 2.81 |
| GLAC149-C | 6.35 | 15   | BK7      | 2.50 | 1.21 | ZF7      | 1.20  | 1.60 | 3.70            | 2.81 |
| GLAC110-A | 8    | 16   | BK7      | 2.80 | 0.79 | ZF2      | 1.20  | 1.97 | 4.00            | 2.76 |
| GLAC110-B | 8    | 16   | BK7      | 2.80 | 0.83 | ZF7      | 1.20  | 1.81 | 4.00            | 2.64 |
| GLAC110-C | 8    | 16   | BK7      | 2.80 | 0.83 | ZF7      | 1.20  | 1.81 | 4.00            | 2.64 |
| GLAC399-A | 8    | 20   | BK7      | 2.80 | 1.20 | ZF2      | 1.20  | 1.82 | 4.00            | 3.02 |
| GLAC399-B | 8    | 20   | BK7      | 2.80 | 1.27 | ZF7      | 1.20  | 1.67 | 4.00            | 2.94 |
| GLAC399-C | 8    | 20   | BK7      | 2.80 | 1.27 | ZF7      | 1.20  | 1.67 | 4.00            | 2.94 |
| GLAC291-A | 12.7 | 25   | BK7      | 5.00 | 1.72 | ZF2      | 1.500 | 2.77 | 6.50            | 4.49 |
| GLAC291-B | 12.7 | 25   | BK7      | 5.00 | 1.82 | ZF7      | 1.500 | 2.49 | 6.50            | 4.31 |
| GLAC291-C | 12.7 | 25   | BK7      | 5.00 | 1.83 | ZF7      | 1.500 | 2.49 | 6.50            | 4.31 |



| Part No.  | Dia  | EFL | Lens1    |       |      | Lens2    |       |      | Achromatic Lens |      |
|-----------|------|-----|----------|-------|------|----------|-------|------|-----------------|------|
|           |      |     | Materail | Tc1   | Te1  | Materail | Tc2   | Te2  | Tc              | Te   |
| GLAC536-A | 12.7 | 30  | BK7      | 4.00  | 1.30 | ZF2      | 1.500 | 2.53 | 5.50            | 3.83 |
| GLAC536-B | 12.7 | 30  | BK7      | 4.00  | 1.43 | ZF7      | 1.500 | 2.29 | 5.50            | 3.72 |
| GLAC536-C | 12.7 | 30  | BK7      | 4.00  | 1.43 | ZF7      | 1.500 | 2.29 | 5.50            | 3.72 |
| GLAC621-A | 12.7 | 50  | BK7      | 2.80  | 1.21 | ZF2      | 1.500 | 2.12 | 4.30            | 3.33 |
| GLAC621-B | 12.7 | 50  | BK7      | 2.80  | 1.26 | ZF7      | 1.500 | 1.98 | 4.30            | 3.24 |
| GLAC621-C | 12.7 | 50  | BK7      | 2.80  | 1.26 | ZF7      | 1.500 | 1.98 | 4.30            | 3.24 |
| GLAC977-A | 12.7 | 75  | BK7      | 2.50  | 1.45 | ZF2      | 1.500 | 1.91 | 4.00            | 3.36 |
| GLAC977-B | 12.7 | 75  | BK7      | 2.50  | 1.48 | ZF7      | 1.500 | 1.82 | 4.00            | 3.30 |
| GLAC977-C | 12.7 | 75  | BK7      | 2.50  | 1.48 | ZF7      | 1.500 | 1.82 | 4.00            | 3.30 |
| GLAC628-B | 25.4 | 35  | BK7      | 12.00 | 2.57 | ZF7      | 2.50  | 5.40 | 14.50           | 7.97 |
| GLAC628-C | 25.4 | 35  | BK7      | 12.00 | 2.57 | ZF7      | 2.50  | 5.40 | 14.50           | 7.97 |
| GLAC382-A | 25.4 | 50  | BK7      | 9.00  | 2.52 | ZF2      | 2.50  | 4.98 | 11.50           | 7.50 |
| GLAC382-B | 25.4 | 50  | BK7      | 9.00  | 2.69 | ZF7      | 2.50  | 4.45 | 11.50           | 7.14 |
| GLAC382-C | 25.4 | 50  | BK7      | 9.00  | 2.69 | ZF7      | 2.50  | 4.45 | 11.50           | 7.14 |
| GLAC564-A | 25.4 | 60  | BK7      | 8.00  | 2.64 | ZF2      | 2.50  | 4.57 | 10.50           | 7.12 |
| GLAC564-B | 25.4 | 60  | BK7      | 8.00  | 2.81 | ZF7      | 2.50  | 4.10 | 10.50           | 6.91 |
| GLAC564-C | 25.4 | 60  | BK7      | 8.00  | 2.81 | ZF7      | 2.50  | 4.10 | 10.50           | 6.91 |
| GLAC879-A | 25.4 | 75  | BK7      | 7.00  | 2.74 | ZF2      | 2.50  | 4.14 | 9.50            | 6.88 |
| GLAC879-B | 25.4 | 75  | BK7      | 7.00  | 2.8  | ZF7      | 2.50  | 3.77 | 9.50            | 6.66 |
| GLAC879-C | 25.4 | 75  | BK7      | 7.00  | 2.89 | ZF7      | 2.50  | 3.77 | 9.50            | 6.66 |
| GLAC467-A | 25.4 | 100 | BK7      | 6.00  | 2.83 | ZF2      | 2.50  | 3.72 | 8.50            | 6.55 |
| GLAC467-B | 25.4 | 100 | BK7      | 6.00  | 2.99 | ZF7      | 2.50  | 3.41 | 8.50            | 6.40 |
| GLAC467-C | 25.4 | 100 | BK7      | 6.00  | 2.99 | ZF7      | 2.50  | 3.41 | 8.50            | 6.40 |
| GLAC234-A | 25.4 | 200 | BK7      | 4.00  | 2.44 | ZF2      | 2.50  | 3.10 | 6.50            | 5.54 |
| GLAC234-B | 25.4 | 200 | BK7      | 4.00  | 2.49 | ZF7      | 2.50  | 2.97 | 6.50            | 5.46 |
| GLAC234-C | 25.4 | 200 | BK7      | 4.00  | 2.49 | ZF7      | 2.50  | 2.97 | 6.50            | 5.46 |
| GLAC181-A | 25.4 | 250 | BK7      | 4.00  | 2.74 | ZF2      | 2.50  | 2.98 | 6.50            | 5.72 |
| GLAC181-B | 25.4 | 250 | BK7      | 4.00  | 2.78 | ZF7      | 2.50  | 2.88 | 6.50            | 5.66 |
| GLAC181-C | 25.4 | 250 | BK7      | 4.00  | 2.78 | ZF7      | 2.50  | 2.88 | 6.50            | 5.66 |
| GLAC362-A | 25.4 | 300 | BK7      | 3.00  | 1.95 | ZF2      | 2.50  | 2.9  | 5.50            | 4.85 |
| GLAC362-B | 25.4 | 300 | BK7      | 3.00  | 1.98 | ZF7      | 2.50  | 2.87 | 5.50            | 4.85 |
| GLAC362-C | 25.4 | 300 | BK7      | 3.00  | 1.98 | ZF7      | 2.50  | 2.87 | 5.50            | 4.85 |
| GLAC182-A | 25.4 | 400 | BK7      | 3.00  | 2.21 | ZF2      | 2.50  | 2.80 | 5.50            | 5.01 |
| GLAC182-B | 25.4 | 400 | BK7      | 3.00  | 2.23 | ZF7      | 2.50  | 2.74 | 5.50            | 4.97 |
| GLAC182-C | 25.4 | 400 | BK7      | 3.00  | 2.23 | ZF7      | 2.50  | 2.74 | 5.50            | 4.97 |
| GLAC549-A | 25.4 | 500 | BK7      | 3.00  | 2.37 | ZF2      | 2.50  | 2.74 | 5.50            | 5.11 |
| GLAC549-B | 25.4 | 500 | BK7      | 3.00  | 2.38 | ZF7      | 2.50  | 2.69 | 5.50            | 5.07 |
| GLAC549-C | 25.4 | 500 | BK7      | 3.00  | 2.38 | ZF7      | 2.50  | 2.69 | 5.50            | 5.07 |



| Part No.  | Dia  | EFL  | Lens1    |       |      | Lens2    |      |      | Achromatic Lens |       |
|-----------|------|------|----------|-------|------|----------|------|------|-----------------|-------|
|           |      |      | Material | Tc1   | Te1  | Material | Tc2  | Te2  | Tc              | Te    |
| GLAC663-A | 30   | 80   | BK7      | 7.50  | 1.93 | ZF2      | 2.50 | 4.64 | 10.00           | 6.57  |
| GLAC663-B | 30   | 80   | BK7      | 7.50  | 2.19 | ZF7      | 2.50 | 4.13 | 10.00           | 6.32  |
| GLAC663-C | 30   | 80   | BK7      | 7.50  | 2.19 | ZF7      | 2.50 | 4.13 | 10.00           | 6.32  |
| GLAC795-A | 30   | 100  | BK7      | 7.50  | 3.04 | ZF2      | 2.50 | 4.23 | 10.00           | 7.27  |
| GLAC795-B | 30   | 100  | BK7      | 7.50  | 3.24 | ZF7      | 2.50 | 3.82 | 10.00           | 7.06  |
| GLAC795-C | 30   | 100  | BK7      | 7.05  | 3.24 | ZF7      | 2.50 | 3.82 | 10.00           | 7.06  |
| GLAC789-A | 50.8 | 150  | BK7      | 11.50 | 3.06 | ZF2      | 4.00 | 7.24 | 15.50           | 10.30 |
| GLAC789-B | 50.8 | 150  | BK7      | 11.50 | 3.21 | ZF7      | 4.00 | 6.59 | 15.50           | 9.80  |
| GLAC789-C | 50.8 | 150  | BK7      | 11.50 | 3.21 | ZF7      | 4.00 | 6.59 | 15.50           | 9.80  |
| GLAC506-A | 50.8 | 200  | BK7      | 9.00  | 2.67 | ZF2      | 4.00 | 6.43 | 13.00           | 9.10  |
| GLAC506-B | 50.8 | 200  | BK7      | 9.00  | 2.88 | ZF7      | 4.00 | 5.89 | 13.00           | 8.77  |
| GLAC506-C | 50.8 | 200  | BK7      | 9.00  | 2.88 | ZF7      | 4.00 | 5.89 | 13.00           | 8.77  |
| GLAC376-A | 50.8 | 250  | BK7      | 8.00  | 2.93 | ZF2      | 4.00 | 5.96 | 12.00           | 8.89  |
| GLAC376-B | 50.8 | 250  | BK7      | 8.00  | 3.09 | ZF7      | 4.00 | 5.53 | 12.00           | 8.62  |
| GLAC376-C | 50.8 | 250  | BK7      | 8.00  | 3.09 | ZF7      | 4.00 | 5.53 | 12.00           | 8.62  |
| GLAC537-A | 50.8 | 300  | BK7      | 7.00  | 2.79 | ZF2      | 4.00 | 5.62 | 11.00           | 8.41  |
| GLAC537-B | 50.8 | 300  | BK7      | 7.00  | 2.91 | ZF7      | 4.00 | 5.28 | 11.00           | 8.19  |
| GLAC537-C | 50.8 | 300  | BK7      | 7.00  | 2.91 | ZF7      | 4.00 | 5.28 | 11.00           | 8.19  |
| GLAC726-A | 50.8 | 400  | BK7      | 6.00  | 2.84 | ZF2      | 4.00 | 5.23 | 10.00           | 8.07  |
| GLAC726-B | 50.8 | 400  | BK7      | 6.00  | 2.93 | ZF7      | 4.00 | 4.96 | 10.00           | 7.89  |
| GLAC726-C | 50.8 | 400  | BK7      | 6.00  | 2.93 | ZF7      | 4.00 | 4.96 | 10.00           | 7.89  |
| GLAC811-A | 50.8 | 500  | BK7      | 6.00  | 2.53 | ZF2      | 4.00 | 4.98 | 10.00           | 7.51  |
| GLAC811-B | 50.8 | 500  | BK7      | 6.00  | 3.54 | ZF7      | 4.00 | 4.78 | 10.00           | 8.32  |
| GLAC811-C | 50.8 | 500  | BK7      | 6.00  | 3.54 | ZF7      | 4.00 | 4.78 | 10.00           | 8.32  |
| GLAC461-A | 50.8 | 750  | BK7      | 5.00  | 3.31 | ZF2      | 4.00 | 4.65 | 9.00            | 7.96  |
| GLAC461-B | 50.8 | 750  | BK7      | 5.00  | 3.26 | ZF7      | 4.00 | 4.58 | 9.00            | 7.84  |
| GLAC461-C | 50.8 | 750  | BK7      | 5.00  | 3.26 | ZF7      | 4.00 | 4.58 | 9.00            | 7.84  |
| GLAC191-A | 50.8 | 1000 | BK7      | 5.00  | 3.77 | ZF2      | 4.00 | 4.45 | 9.00            | 8.22  |
| GLAC191-B | 50.8 | 1000 | BK7      | 5.00  | 3.59 | ZF7      | 4.00 | 4.50 | 9.00            | 8.09  |
| GLAC191-C | 50.8 | 1000 | BK7      | 5.00  | 3.59 | ZF7      | 4.00 | 4.50 | 9.00            | 8.09  |



**Specifications**

Material: BK7, ZF2, ZF7

Design Wavelength: 486.1nm, 587.6nm, 656.3nm

Focal Length Tolerance: ±1%

Diameter Tolerance: +0.0, -0.1mm

Center Thickness: ±0.1mm

Surface Figure:  $\lambda/2$

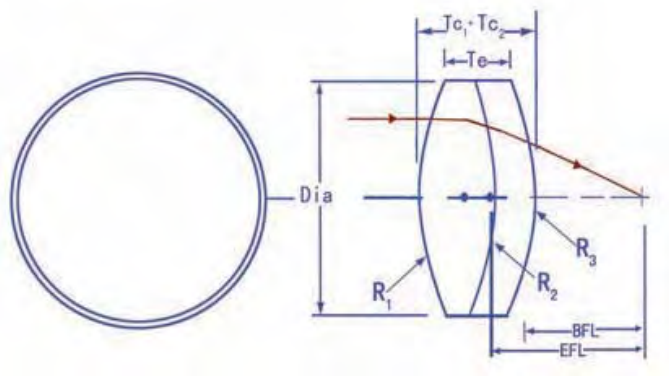
Scratch/Dig: 40-20

Centration: <3'

Clear Aperture: >90%

Protective Bevel

Coating: A: 350-650nm B: 650-1050nm C: 1050-1580nm

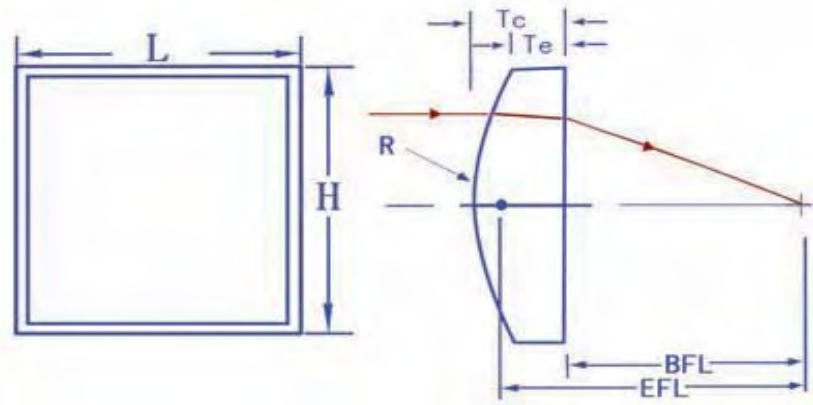


| Part No.  | Dia   | EFL     | Lens1    |      |      | Lens2    |      |      | Achromatic Lens |       |
|-----------|-------|---------|----------|------|------|----------|------|------|-----------------|-------|
|           |       |         | Material | Tc1  | Te1  | Material | Tc2  | Te2  | Tc              | Te    |
| GLBC335-A | 6.00  | -9.00   | BK7      | 0.90 | 2.63 | ZF2      | 1.50 | 0.90 | 2.40            | 3.53  |
| GLBC335-B | 6.00  | -9.00   | BK7      | 0.90 | 2.59 | ZF7      | 1.50 | 1.04 | 2.40            | 3.63  |
| GLBC335-C | 6.00  | -9.00   | BK7      | 0.90 | 2.59 | ZF7      | 1.50 | 1.04 | 2.40            | 3.63  |
| GLBC781-A | 10.00 | -15.00  | BK7      | 1.50 | 4.39 | ZF2      | 2.50 | 1.50 | 4.00            | 5.89  |
| GLBC781-B | 10.00 | -15.00  | BK7      | 1.50 | 4.31 | ZF7      | 2.50 | 1.75 | 4.00            | 6.06  |
| GLBC781-C | 10.00 | -15.00  | BK7      | 1.50 | 4.31 | ZF7      | 2.50 | 1.75 | 4.00            | 6.06  |
| GLBC970-A | 12.70 | -30.00  | BK7      | 1.50 | 4.07 | ZF2      | 2.50 | 1.52 | 4.00            | 5.59  |
| GLBC970-B | 12.70 | -30.00  | BK7      | 1.50 | 3.90 | ZF7      | 2.50 | 1.79 | 4.00            | 5.69  |
| GLBC970-C | 12.70 | -30.00  | BK7      | 1.50 | 3.90 | ZF7      | 2.50 | 1.79 | 4.00            | 5.69  |
| GLBC989-A | 12.70 | -50.00  | BK7      | 1.50 | 3.06 | ZF2      | 2.50 | 1.90 | 4.00            | 4.96  |
| GLBC989-B | 12.70 | -50.00  | BK7      | 1.50 | 3.02 | ZF7      | 2.50 | 2.03 | 4.00            | 5.05  |
| GLBC989-C | 12.70 | -50.00  | BK7      | 1.50 | 3.02 | ZF7      | 2.50 | 2.03 | 4.00            | 5.05  |
| GLBC435-A | 25.40 | -75.00  | BK7      | 2.50 | 6.61 | ZF2      | 5.00 | 3.43 | 7.50            | 10.04 |
| GLBC435-B | 25.40 | -75.00  | BK7      | 2.50 | 6.38 | ZF7      | 5.00 | 3.85 | 7.50            | 10.23 |
| GLBC435-C | 25.40 | -75.00  | BK7      | 2.50 | 6.38 | ZF7      | 5.00 | 3.85 | 7.50            | 10.23 |
| GLBC062-A | 25.40 | -100.00 | BK7      | 2.50 | 5.65 | ZF2      | 5.00 | 3.77 | 7.50            | 9.42  |
| GLBC062-B | 25.40 | -100.00 | BK7      | 2.50 | 5.50 | ZF7      | 5.00 | 4.08 | 7.50            | 9.58  |
| GLBC062-C | 25.40 | -100.00 | BK7      | 2.50 | 5.50 | ZF7      | 5.00 | 4.08 | 7.50            | 9.58  |



**Specifications**

Material: BK7  
 Design Wavelength: 587.6nm  
 nd: 1.51680  
 Focal Length Tolerance:  $\pm 1\%$   
 Diameter Tolerance: +0.0, -0.1mm  
 Center Thickness:  $\pm 0.2$ mm  
 Surface Figure:  $\lambda/2$   
 Scratch/Dig: 40-20  
 Centration:  $< 3'$   
 Clear Aperture:  $> 90\%$   
 Protective Bevel



| Part No.  | H    | L    | EFL    | R      | Tc   | Te  | BFL  |
|-----------|------|------|--------|--------|------|-----|------|
| GLJ1598L1 | 4.0  | 6.0  | 3.900  | 2.016  | 3.80 | 2.0 | 1.4  |
| GLJ1598L2 | 4.0  | 8.0  | 3.900  | 2.016  | 3.80 | 2.0 | 1.4  |
| GLJ1310L1 | 4.0  | 6.0  | 4.000  | 2.067  | 3.56 | 2.0 | 1.7  |
| GLJ1310L2 | 4.0  | 8.0  | 4.000  | 2.067  | 3.56 | 2.0 | 1.7  |
| GLJ1918L1 | 4.0  | 6.0  | 5.800  | 2.997  | 2.76 | 2.0 | 4.0  |
| GLJ1918L2 | 4.0  | 8.0  | 5.800  | 2.997  | 2.76 | 2.0 | 4.0  |
| GLJ1227L1 | 6.0  | 8.0  | 6.350  | 3.282  | 3.95 | 2.0 | 3.7  |
| GLJ1227L2 | 6.0  | 12.0 | 6.350  | 3.282  | 3.95 | 2.0 | 3.7  |
| GLJ1874L1 | 7.0  | 9.0  | 7.700  | 3.979  | 4.09 | 2.0 | 5.0  |
| GLJ1874L2 | 7.0  | 14.0 | 7.700  | 3.979  | 4.09 | 2.0 | 5.0  |
| GLJ1822L1 | 10.0 | 12.0 | 9.700  | 5.013  | 6.69 | 2.0 | 5.3  |
| GLJ1822L2 | 10.0 | 20.0 | 9.700  | 5.013  | 6.69 | 2.0 | 5.3  |
| GLJ1878L1 | 10.0 | 12.0 | 10.000 | 5.168  | 5.88 | 2.0 | 6.1  |
| GLJ1878L2 | 10.0 | 20.0 | 10.000 | 5.168  | 5.88 | 2.0 | 6.1  |
| GLJ1942L1 | 10.0 | 12.0 | 12.700 | 6.563  | 4.31 | 2.0 | 9.9  |
| GLJ1942L2 | 10.0 | 20.0 | 12.700 | 6.563  | 4.31 | 2.0 | 9.9  |
| GLJ1805L1 | 13.0 | 15.0 | 12.700 | 6.563  | 7.67 | 2.0 | 7.6  |
| GLJ1805L2 | 13.0 | 26.0 | 12.700 | 6.563  | 7.67 | 2.0 | 7.6  |
| GLJ1909L1 | 13.0 | 15.0 | 13.700 | 7.080  | 6.27 | 2.0 | 9.6  |
| GLJ1909L2 | 13.0 | 26.0 | 13.700 | 7.080  | 6.27 | 2.0 | 9.6  |
| GLJ1636L1 | 10.0 | 12.0 | 15.000 | 7.752  | 3.82 | 2.0 | 12.5 |
| GLJ1636L2 | 10.0 | 20.0 | 15.000 | 7.752  | 3.82 | 2.0 | 12.5 |
| GLJ1095L1 | 16.0 | 18.0 | 19.000 | 9.819  | 6.13 | 2.0 | 15.0 |
| GLJ1095L2 | 16.0 | 32.0 | 19.000 | 9.819  | 6.13 | 2.0 | 15.0 |
| GLJ1155L1 | 16.0 | 18.0 | 19.700 | 10.181 | 5.88 | 2.0 | 15.8 |
| GLJ1155L2 | 16.0 | 32.0 | 19.700 | 10.181 | 5.88 | 2.0 | 15.8 |
| GLJ1960L1 | 10.0 | 12.0 | 20.000 | 10.336 | 3.29 | 2.0 | 17.8 |



| Part No.  | H    | L    | EFL    | R      | Tc    | Te  | BFL  |
|-----------|------|------|--------|--------|-------|-----|------|
| GLJ1960L2 | 10.0 | 20.0 | 20.000 | 10.336 | 3.29  | 2.0 | 17.8 |
| GLJ1328L1 | 15.0 | 17.0 | 20.000 | 10.336 | 5.22  | 2.0 | 16.6 |
| GLJ1328L2 | 15.0 | 30.0 | 20.000 | 10.336 | 5.22  | 2.0 | 16.6 |
| GLJ1638L1 | 12.5 | 15.0 | 22.200 | 11.473 | 3.85  | 2.0 | 19.7 |
| GLJ1638L2 | 12.5 | 25.0 | 22.200 | 11.473 | 3.85  | 2.0 | 19.7 |
| GLJ1810L1 | 10.0 | 12.0 | 25.000 | 12.920 | 3.00  | 2.0 | 23.0 |
| GLJ1810L2 | 10.0 | 20.0 | 25.000 | 12.920 | 3.00  | 2.0 | 23.0 |
| GLJ1075L1 | 20.0 | 22.0 | 25.000 | 12.920 | 6.74  | 2.0 | 20.6 |
| GLJ1075L2 | 20.0 | 40.0 | 25.000 | 12.920 | 6.74  | 2.0 | 20.6 |
| GLJ1014L1 | 16.0 | 18.0 | 25.400 | 13.127 | 4.72  | 2.0 | 22.3 |
| GLJ1014L2 | 16.0 | 32.0 | 25.400 | 13.127 | 4.72  | 2.0 | 22.3 |
| GLJ1622L1 | 25.4 | 28.0 | 25.400 | 13.127 | 11.82 | 2.0 | 17.6 |
| GLJ1622L2 | 25.4 | 51.0 | 25.400 | 13.127 | 11.82 | 2.0 | 17.6 |
| GLJ1212L1 | 20.0 | 22.0 | 30.000 | 15.504 | 5.65  | 2.0 | 26.3 |
| GLJ1212L2 | 20.0 | 40.0 | 30.000 | 15.504 | 5.65  | 2.0 | 26.3 |
| GLJ1765L1 | 25.4 | 28.0 | 38.100 | 19.690 | 6.64  | 2.0 | 33.7 |
| GLJ1765L2 | 25.4 | 51.0 | 38.100 | 19.690 | 6.64  | 2.0 | 33.7 |
| GLJ1402L1 | 10.0 | 12.0 | 40.000 | 20.672 | 2.61  | 2.0 | 38.3 |
| GLJ1402L2 | 10.0 | 20.0 | 40.000 | 20.672 | 2.61  | 2.0 | 38.3 |
| GLJ1125L1 | 20.0 | 22.0 | 40.000 | 20.672 | 4.57  | 2.0 | 37.0 |
| GLJ1125L2 | 20.0 | 40.0 | 40.000 | 20.672 | 4.57  | 2.0 | 37.0 |
| GLJ1821L1 | 20.0 | 22.0 | 50.000 | 25.840 | 4.01  | 2.0 | 47.4 |
| GLJ1821L2 | 20.0 | 40.0 | 50.000 | 25.840 | 4.01  | 2.0 | 47.4 |
| GLJ1695L1 | 30.0 | 32.0 | 50.000 | 25.840 | 6.80  | 2.0 | 45.5 |
| GLJ1695L2 | 30.0 | 60.0 | 50.000 | 25.840 | 6.80  | 2.0 | 45.5 |
| GLJ1728L1 | 50.8 | 53.0 | 50.800 | 26.253 | 21.62 | 2.0 | 36.5 |
| GLJ1728L2 | 50.8 | 90.0 | 50.800 | 26.253 | 21.62 | 2.0 | 36.5 |
| GLJ1430L1 | 30.0 | 32.0 | 60.000 | 31.008 | 5.87  | 2.0 | 56.1 |
| GLJ1430L2 | 30.0 | 60.0 | 60.000 | 31.008 | 5.87  | 2.0 | 56.1 |
| GLJ1036L1 | 60.0 | 62.0 | 60.000 | 31.008 | 25.18 | 2.0 | 43.4 |
| GLJ1036L2 | 60.0 | 95.0 | 60.000 | 31.008 | 25.18 | 2.0 | 43.4 |
| GLJ1993L1 | 50.8 | 53.0 | 62.900 | 32.507 | 14.22 | 2.0 | 53.5 |
| GLJ1993L2 | 50.8 | 95.0 | 62.900 | 32.507 | 14.22 | 2.0 | 53.5 |
| GLJ1477L1 | 30.0 | 32.0 | 70.000 | 36.176 | 5.25  | 2.0 | 66.5 |
| GLJ1477L2 | 30.0 | 60.0 | 70.000 | 36.176 | 5.25  | 2.0 | 66.5 |
| GLJ1703L1 | 50.8 | 53.0 | 75.000 | 38.760 | 11.48 | 2.0 | 67.4 |
| GLJ1703L2 | 50.8 | 95.0 | 75.000 | 38.760 | 11.48 | 2.0 | 67.4 |
| GLJ1054L1 | 25.4 | 28.0 | 75.600 | 39.070 | 5.12  | 3.0 | 72.2 |
| GLJ1054L2 | 25.4 | 51.0 | 75.600 | 39.070 | 5.12  | 3.0 | 72.2 |
| GLJ1258L1 | 50.8 | 53.0 | 75.600 | 39.070 | 12.38 | 3.0 | 67.4 |



| Part No.  | H     | L     | EFL      | R       | Tc    | Te  | BFL   |
|-----------|-------|-------|----------|---------|-------|-----|-------|
| GLJ1258L2 | 50.8  | 95.0  | 75.600   | 39.070  | 12.38 | 3.0 | 67.4  |
| GLJ1105L1 | 20.0  | 22.0  | 80.000   | 41.344  | 4.22  | 3.0 | 77.2  |
| GLJ1105L2 | 20.0  | 40.0  | 80.000   | 41.344  | 4.22  | 3.0 | 77.2  |
| GLJ1520L1 | 80.0  | 82.0  | 80.000   | 41.344  | 33.89 | 3.0 | 57.7  |
| GLJ1520L2 | 80.0  | 145.0 | 80.000   | 41.344  | 33.89 | 3.0 | 57.7  |
| GLJ1567L1 | 30.0  | 32.0  | 100.000  | 51.680  | 5.22  | 3.0 | 96.6  |
| GLJ1567L2 | 30.0  | 60.0  | 100.000  | 51.680  | 5.22  | 3.0 | 96.6  |
| GLJ1268L1 | 100.0 | 90.0  | 100.000  | 51.680  | 41.63 | 3.0 | 72.6  |
| GLJ1268L2 | 100.0 | 145.0 | 100.000  | 51.680  | 41.63 | 3.0 | 72.6  |
| GLJ1640L1 | 30.0  | 32.0  | 130.000  | 67.184  | 4.69  | 3.0 | 96.9  |
| GLJ1640L2 | 30.0  | 60.0  | 130.000  | 67.184  | 4.69  | 3.0 | 126.9 |
| GLJ1934L1 | 20.0  | 22.0  | 150.000  | 77.520  | 3.64  | 3.0 | 147.6 |
| GLJ1934L2 | 20.0  | 40.0  | 150.000  | 77.520  | 3.64  | 3.0 | 147.6 |
| GLJ1629L1 | 30.0  | 32.0  | 150.000  | 77.520  | 4.46  | 3.0 | 147.1 |
| GLJ1629L2 | 30.0  | 60.0  | 150.000  | 77.520  | 4.46  | 3.0 | 147.1 |
| GLJ1895L1 | 100.0 | 90.0  | 150.000  | 77.520  | 21.28 | 3.0 | 136.0 |
| GLJ1895L2 | 100.0 | 145.0 | 150.000  | 77.520  | 21.28 | 3.0 | 136.0 |
| GLJ1653L1 | 30.0  | 32.0  | 200.000  | 103.360 | 4.09  | 3.0 | 197.3 |
| GLJ1653L2 | 30.0  | 60.0  | 200.000  | 103.360 | 4.09  | 3.0 | 197.3 |
| GLJ1309L1 | 100.0 | 90.0  | 200.000  | 103.360 | 15.89 | 3.0 | 189.5 |
| GLJ1309L2 | 100.0 | 145.0 | 200.000  | 103.360 | 15.89 | 3.0 | 189.5 |
| GLJ1277L1 | 20.0  | 22.0  | 250.000  | 129.200 | 3.38  | 3.0 | 247.8 |
| GLJ1277L2 | 20.0  | 40.0  | 250.000  | 129.200 | 3.38  | 3.0 | 247.8 |
| GLJ1267L1 | 60.0  | 62.0  | 250.000  | 129.200 | 6.53  | 3.0 | 245.7 |
| GLJ1267L2 | 60.0  | 95.0  | 250.000  | 129.200 | 6.53  | 3.0 | 245.7 |
| GLJ1558L1 | 30.0  | 32.0  | 300.000  | 155.040 | 3.72  | 3.0 | 297.5 |
| GLJ1558L2 | 30.0  | 60.0  | 300.000  | 155.040 | 3.72  | 3.0 | 297.5 |
| GLJ1996L1 | 60.0  | 62.0  | 300.000  | 155.040 | 5.93  | 3.0 | 296.1 |
| GLJ1996L2 | 60.0  | 95.0  | 300.000  | 155.040 | 5.93  | 3.0 | 296.1 |
| GLJ1363L1 | 30.0  | 32.0  | 400.000  | 206.720 | 3.54  | 3.0 | 397.7 |
| GLJ1363L2 | 30.0  | 60.0  | 400.000  | 206.720 | 3.54  | 3.0 | 397.7 |
| GLJ1144L1 | 30.0  | 32.0  | 500.000  | 258.400 | 3.43  | 3.0 | 497.7 |
| GLJ1144L2 | 30.0  | 60.0  | 500.000  | 258.400 | 3.43  | 3.0 | 497.7 |
| GLJ1836L1 | 30.0  | 32.0  | 700.000  | 361.760 | 3.31  | 3.0 | 697.8 |
| GLJ1836L2 | 30.0  | 60.0  | 700.000  | 361.760 | 3.31  | 3.0 | 697.8 |
| GLJ1516L1 | 30.0  | 32.0  | 1000.000 | 516.800 | 3.21  | 3.0 | 997.9 |
| GLJ1516L2 | 30.0  | 60.0  | 1000.000 | 516.800 | 3.21  | 3.0 | 997.9 |



**Specifications**

Material: UV-grade fused silica(China: JGS1)

Design Wavelength:587.6nm

nd:1.45846

Focal Length Tolerance:±1%

Diameter Tolerance:+0.0, -0.1mm

Center Thickness:±0.2mm

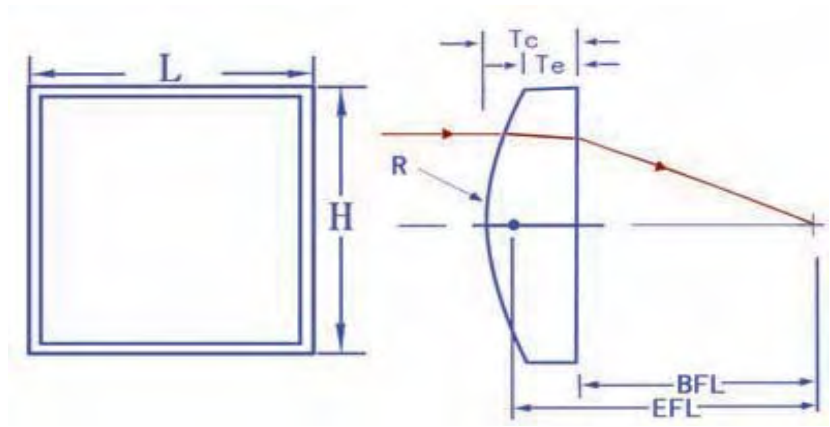
Surface Figure:  $\lambda/2$

Scratch/Dig:40-20

Centration:<3'

Clear Aperture:>90%

Protective Bevel

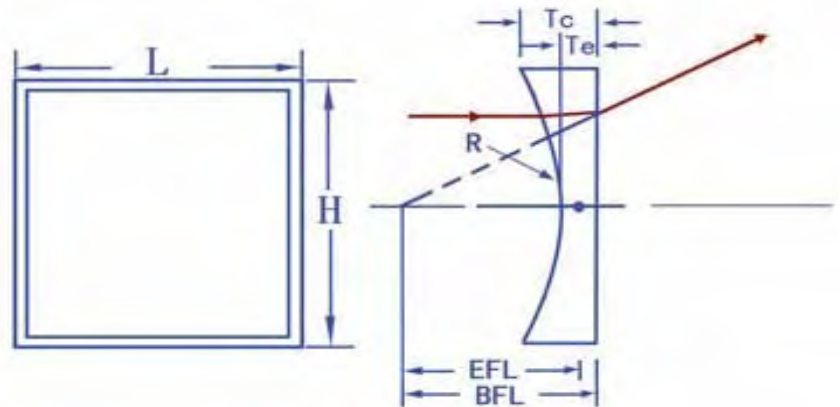


| Part No. | H    | L    | EFL     | R       | Tc   | Te  | BFL   |
|----------|------|------|---------|---------|------|-----|-------|
| GLJ4359  | 7.2  | 11.0 | 8.000   | 3.668   | 4.9  | 2.0 | 4.6   |
| GLJ4918  | 9.0  | 14.0 | 10.000  | 4.585   | 5.6  | 2.0 | 6.2   |
| GLJ4748  | 10.0 | 15.0 | 12.700  | 5.822   | 4.8  | 2.0 | 9.4   |
| GLJ4794  | 10.0 | 15.0 | 25.000  | 11.462  | 3.1  | 2.0 | 22.9  |
| GLJ4862  | 15.0 | 23.0 | 25.000  | 11.462  | 4.8  | 2.0 | 21.7  |
| GLJ4426  | 20.0 | 30.0 | 25.000  | 11.462  | 7.8  | 2.0 | 19.7  |
| GLJ4107  | 23.0 | 35.0 | 25.400  | 11.645  | 11.6 | 2.0 | 17.4  |
| GLJ4305  | 20.0 | 30.0 | 30.000  | 13.754  | 6.3  | 2.0 | 25.7  |
| GLJ4878  | 20.0 | 30.0 | 75.000  | 34.385  | 3.5  | 2.0 | 72.6  |
| GLJ4395  | 30.0 | 45.0 | 100.000 | 45.846  | 5.5  | 3.0 | 96.2  |
| GLJ4147  | 30.0 | 45.0 | 500.000 | 229.230 | 3.5  | 3.0 | 497.6 |



**Specifications**

Material: BK7  
 Design Wavelength: 587.6nm  
 nd: 1.51680  
 Focal Length Tolerance:  $\pm 1\%$   
 Diameter Tolerance: +0.0, -0.1mm  
 Center Thickness:  $\pm 0.2$ mm  
 Surface Figure:  $\lambda/2$   
 Scratch/Dig: 40-20  
 Centration:  $< 3'$   
 Clear Aperture:  $> 90\%$   
 Protective Bevel



| Part No.  | H    | L    | EFL     | R       | Tc  | Te  | BFL   |
|-----------|------|------|---------|---------|-----|-----|-------|
| GLK1395L1 | 4.0  | 6.0  | -3.900  | -2.016  | 2.0 | 2.7 | -2.6  |
| GLK1395L2 | 4.0  | 8.0  | -3.900  | -2.016  | 2.0 | 2.7 | -2.6  |
| GLK1597L1 | 4.0  | 6.0  | -4.000  | -2.067  | 2.0 | 2.6 | -2.7  |
| GLK1597L2 | 4.0  | 8.0  | -4.000  | -2.067  | 2.0 | 2.6 | -2.7  |
| GLK1523L1 | 4.0  | 6.0  | -5.800  | -2.997  | 2.0 | 2.4 | -4.5  |
| GLK1523L2 | 4.0  | 8.0  | -5.800  | -2.997  | 2.0 | 2.4 | -4.5  |
| GLK1087L1 | 6.0  | 8.0  | -6.400  | -3.308  | 2.0 | 3.2 | -5.1  |
| GLK1087L2 | 6.0  | 12.0 | -6.400  | -3.308  | 2.0 | 3.2 | -5.1  |
| GLK1363L1 | 7.0  | 9.0  | -7.700  | -3.979  | 2.0 | 3.4 | -6.4  |
| GLK1363L2 | 7.0  | 14.0 | -7.700  | -3.979  | 2.0 | 3.4 | -6.4  |
| GLK1836L1 | 10.0 | 12.0 | -9.700  | -5.013  | 2.0 | 4.8 | -8.4  |
| GLK1836L2 | 10.0 | 20.0 | -9.700  | -5.013  | 2.0 | 4.8 | -8.4  |
| GLK1684L1 | 10.0 | 12.0 | -12.700 | -6.563  | 2.0 | 3.8 | -11.4 |
| GLK1684L2 | 10.0 | 20.0 | -12.700 | -6.563  | 2.0 | 3.8 | -11.4 |
| GLK1816L1 | 13.0 | 15.0 | -13.700 | -7.080  | 2.0 | 5.3 | -12.4 |
| GLK1816L2 | 13.0 | 26.0 | -13.700 | -7.080  | 2.0 | 5.3 | -12.4 |
| GLK1753L1 | 10.0 | 12.0 | -15.000 | -7.752  | 2.0 | 3.4 | -13.7 |
| GLK1753L2 | 10.0 | 20.0 | -15.000 | -7.752  | 2.0 | 3.4 | -13.7 |
| GLK1037L1 | 19.0 | 21.0 | -19.000 | -9.819  | 2.0 | 7.9 | -17.7 |
| GLK1037L2 | 19.0 | 38.0 | -19.000 | -9.819  | 2.0 | 7.9 | -17.7 |
| GLK1085L1 | 15.0 | 17.0 | -20.000 | -10.336 | 2.0 | 4.7 | -18.7 |
| GLK1085L2 | 15.0 | 30.0 | -20.000 | -10.336 | 2.0 | 4.7 | -18.7 |
| GLK1006L1 | 12.5 | 15.0 | -22.200 | -11.473 | 2.0 | 3.5 | -20.9 |
| GLK1006L2 | 12.5 | 25.0 | -22.200 | -11.473 | 2.0 | 3.5 | -20.9 |
| GLK1426L1 | 10.0 | 12.0 | -25.000 | -12.920 | 2.0 | 2.8 | -23.7 |
| GLK1426L2 | 10.0 | 20.0 | -25.000 | -12.920 | 2.0 | 2.8 | -23.7 |



| Part No.  | H     | L     | EFL      | R       | Tc  | Te   | BFL    |
|-----------|-------|-------|----------|---------|-----|------|--------|
| GLK1900L1 | 16.0  | 18.0  | -25.400  | -13.127 | 2.0 | 4.4  | -24.1  |
| GLK1900L2 | 16.0  | 32.0  | -25.400  | -13.127 | 2.0 | 4.4  | -24.1  |
| GLK1787L1 | 25.4  | 28.0  | -25.400  | -13.127 | 2.0 | 10.3 | -24.1  |
| GLK1787L2 | 25.4  | 51.0  | -25.400  | -13.127 | 2.0 | 10.3 | -24.1  |
| GLK1982L1 | 20.0  | 22.0  | -30.000  | -15.504 | 2.0 | 5.3  | -28.7  |
| GLK1982L2 | 20.0  | 40.0  | -30.000  | -15.504 | 2.0 | 5.3  | -28.7  |
| GLK1325L1 | 26.0  | 28.0  | -38.100  | -19.690 | 2.0 | 6.5  | -36.8  |
| GLK1325L2 | 26.0  | 52.0  | -38.100  | -19.690 | 2.0 | 6.5  | -36.8  |
| GLK1283L1 | 10.0  | 12.0  | -40.000  | -20.672 | 2.0 | 2.5  | -38.7  |
| GLK1283L2 | 10.0  | 20.0  | -40.000  | -20.672 | 2.0 | 2.5  | -38.7  |
| GLK1662L1 | 20.0  | 22.0  | -50.000  | -25.840 | 2.0 | 3.8  | -48.7  |
| GLK1662L2 | 20.0  | 40.0  | -50.000  | -25.840 | 2.0 | 3.8  | -48.7  |
| GLK1336L1 | 30.0  | 32.0  | -50.000  | -25.840 | 2.0 | 6.5  | -48.7  |
| GLK1336L2 | 30.0  | 60.0  | -50.000  | -25.840 | 2.0 | 6.5  | -48.7  |
| GLK1792L1 | 50.8  | 53.0  | -50.800  | -26.253 | 2.0 | 19.9 | -49.5  |
| GLK1792L2 | 50.8  | 90.0  | -50.800  | -26.253 | 2.0 | 19.9 | -49.5  |
| GLK1995L1 | 30.0  | 32.0  | -60.000  | -31.008 | 2.0 | 5.6  | -58.7  |
| GLK1995L2 | 30.0  | 60.0  | -60.000  | -31.008 | 2.0 | 5.6  | -58.7  |
| GLK1015L1 | 60.0  | 62.0  | -60.000  | -31.008 | 2.0 | 23.5 | -58.7  |
| GLK1015L2 | 60.0  | 95.0  | -60.000  | -31.008 | 2.0 | 23.5 | -58.7  |
| GLK1216L1 | 50.8  | 53.0  | -62.900  | -32.507 | 2.0 | 13.6 | -61.6  |
| GLK1216L2 | 50.8  | 95.0  | -62.900  | -32.507 | 2.0 | 13.6 | -61.6  |
| GLK1913L1 | 30.0  | 32.0  | -70.000  | -36.176 | 2.0 | 5.0  | -68.7  |
| GLK1913L2 | 30.0  | 60.0  | -70.000  | -36.176 | 2.0 | 5.0  | -68.7  |
| GLK1431L1 | 50.8  | 53.0  | -75.000  | -38.760 | 2.0 | 11.1 | -73.7  |
| GLK1431L2 | 50.8  | 90.0  | -75.000  | -38.760 | 2.0 | 11.1 | -73.7  |
| GLK1689L1 | 50.8  | 53.0  | -75.600  | -39.070 | 3.0 | 12.0 | -73.6  |
| GLK1689L2 | 50.8  | 90.0  | -75.600  | -39.070 | 3.0 | 12.0 | -73.6  |
| GLK1526L1 | 20.0  | 22.0  | -80.000  | -41.344 | 3.0 | 4.1  | -78.0  |
| GLK1526L2 | 20.0  | 40.0  | -80.000  | -41.344 | 3.0 | 4.1  | -78.0  |
| GLK1310L1 | 80.0  | 82.0  | -80.000  | -41.344 | 3.0 | 32.1 | -78.0  |
| GLK1310L2 | 80.0  | 145.0 | -80.000  | -41.344 | 3.0 | 32.1 | -78.0  |
| GLK1743L1 | 30.0  | 32.0  | -100.000 | -51.680 | 3.0 | 5.1  | -98.0  |
| GLK1743L2 | 30.0  | 60.0  | -100.000 | -51.680 | 3.0 | 5.1  | -98.0  |
| GLK1936L1 | 100.0 | 90.0  | -100.000 | -51.680 | 3.0 | 39.9 | -98.0  |
| GLK1936L2 | 100.0 | 145.0 | -100.000 | -51.680 | 3.0 | 39.9 | -98.0  |
| GLK1819L1 | 30.0  | 32.0  | -130.000 | -67.184 | 3.0 | 4.6  | -128.0 |
| GLK1819L2 | 30.0  | 60.0  | -130.000 | -67.184 | 3.0 | 4.6  | -128.0 |
| GLK1419L1 | 30.0  | 32.0  | -150.000 | -77.520 | 3.0 | 4.4  | -148.0 |



| Part No.  | H     | L     | EFL       | R        | Tc  | Te   | BFL    |
|-----------|-------|-------|-----------|----------|-----|------|--------|
| GLK1419L2 | 30.0  | 60.0  | -150.000  | -77.520  | 3.0 | 4.4  | -148.0 |
| GLK1956L1 | 100.0 | 90.0  | -150.000  | -77.520  | 3.0 | 20.9 | -148.0 |
| GLK1956L2 | 100.0 | 145.0 | -150.000  | -77.520  | 3.0 | 20.9 | -148.0 |
| GLK1069L1 | 30.0  | 32.0  | -200.000  | -103.360 | 3.0 | 4.0  | -198.0 |
| GLK1069L2 | 30.0  | 60.0  | -200.000  | -103.360 | 3.0 | 4.0  | -198.0 |
| GLK1115L1 | 100.0 | 90.0  | -200.000  | -103.360 | 3.0 | 15.6 | -198.0 |
| GLK1115L2 | 100.0 | 145.0 | -200.000  | -103.360 | 3.0 | 15.6 | -198.0 |
| GLK1030L1 | 30.0  | 32.0  | -250.000  | -129.200 | 3.0 | 3.8  | -248.0 |
| GLK1030L2 | 30.0  | 60.0  | -250.000  | -129.200 | 3.0 | 3.8  | -248.0 |
| GLK1984L1 | 60.0  | 62.0  | -300.000  | -155.040 | 3.0 | 5.8  | -298.0 |
| GLK1984L2 | 60.0  | 95.0  | -300.000  | -155.040 | 3.0 | 5.8  | -298.0 |
| GLK1487L1 | 30.0  | 32.0  | -400.000  | -206.720 | 3.0 | 3.5  | -398.0 |
| GLK1487L2 | 30.0  | 60.0  | -400.000  | -206.720 | 3.0 | 3.5  | -398.0 |
| GLK1281L1 | 30.0  | 32.0  | -500.000  | -258.400 | 3.0 | 3.4  | -498.0 |
| GLK1281L2 | 30.0  | 60.0  | -500.000  | -258.400 | 3.0 | 3.4  | -498.0 |
| GLK1220L1 | 30.0  | 32.0  | -700.000  | -361.760 | 3.0 | 3.3  | -698.0 |
| GLK1220L2 | 30.0  | 60.0  | -700.000  | -361.760 | 3.0 | 3.3  | -698.0 |
| GLK1002L1 | 30.0  | 32.0  | -1000.000 | -516.800 | 3.0 | 3.2  | -998.0 |
| GLK1002L2 | 30.0  | 60.0  | -1000.000 | -516.800 | 3.0 | 3.2  | -998.0 |



**Specifications**

Material: UV-grade fused silica (China: JGS1)

Design Wavelength: 587.6nm

nd: 1.45846

Focal Length Tolerance: ±1%

Diameter Tolerance: +0.0, -0.1mm

Center Thickness: ±0.2mm

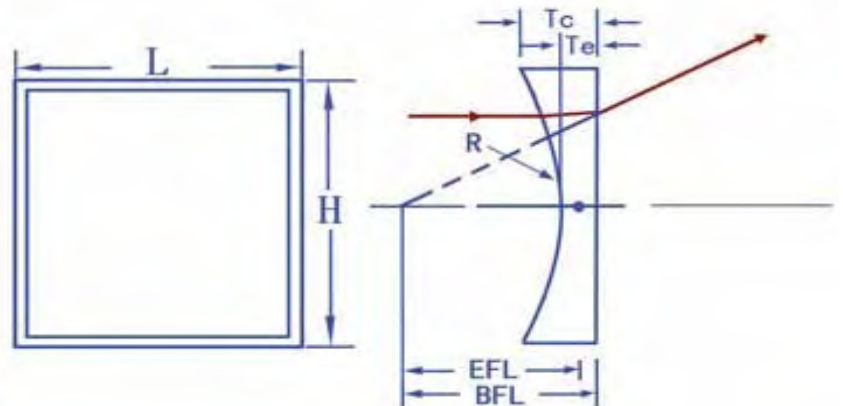
Surface Figure:  $\lambda/2$

Scratch/Dig: 40-20

Centration: <3'

Clear Aperture: >90%

Protective Bevel

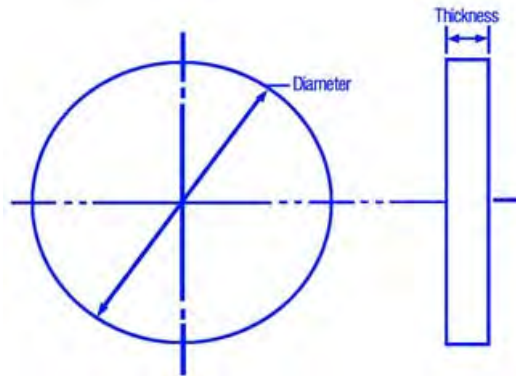


| Part No. | H    | L    | EFL      | R        | Tc  | Te  | BFL      |
|----------|------|------|----------|----------|-----|-----|----------|
| GLK4351  | 7.2  | 11.0 | -8.000   | -3.668   | 2.0 | 4.9 | -6.629   |
| GLK4372  | 9.0  | 14.0 | -10.000  | -4.585   | 2.0 | 5.6 | -8.629   |
| GLK4155  | 10.0 | 15.0 | -12.700  | -5.822   | 2.0 | 4.8 | -11.329  |
| GLK4836  | 10.0 | 15.0 | -25.000  | -11.462  | 2.0 | 3.1 | -23.629  |
| GLK4326  | 15.0 | 23.0 | -25.000  | -11.462  | 2.0 | 4.8 | -23.629  |
| GLK4767  | 20.0 | 30.0 | -25.000  | -11.462  | 2.0 | 7.8 | -23.629  |
| GLK4498  | 22.0 | 33.0 | -25.400  | -11.645  | 2.0 | 9.7 | -24.029  |
| GLK4166  | 20.0 | 30.0 | -30.000  | -13.754  | 2.0 | 6.3 | -28.629  |
| GLK4385  | 20.0 | 30.0 | -75.000  | -34.385  | 2.0 | 3.5 | -73.629  |
| GLK4245  | 30.0 | 45.0 | -100.000 | -45.846  | 3.0 | 5.5 | -97.943  |
| GLK4989  | 30.0 | 45.0 | -500.000 | -229.230 | 3.0 | 3.5 | -497.943 |



**Specifications**

Material: BK7  
 Diameter Tolerance: +0.0, -0.1mm  
 Center Thickness: ±0.2mm  
 Surface Figure:  $\lambda/10$   
 Scratch/Dig: 20-10  
 Parallelism: <1'  
 Clear Aperture: >90%  
 Protective Bevel



| Part No. | Diameter (mm) | Thickness (mm) |
|----------|---------------|----------------|
| WBR001   | 6.00          | 3.00           |
| WBR006   | 7.75          | 4.00           |
| WBR011   | 12.70         | 1.00           |
| WBR012   | 12.70         | 2.00           |
| WBR013   | 12.70         | 3.175          |
| WBR014   | 12.70         | 6.35           |
| WBR019   | 15.00         | 11.00          |
| WBR023   | 19.05         | 1.00           |
| WBR024   | 19.05         | 3.175          |
| WBR025   | 19.05         | 6.35           |
| WBR026   | 19.05         | 9.525          |
| WBR032   | 25.00         | 1.00           |
| WBR033   | 25.00         | 2.00           |
| WBR039   | 25.40         | 1.60           |
| WBR040   | 25.40         | 1.78           |
| WBR041   | 25.40         | 2.00           |
| WBR042   | 25.40         | 3.175          |
| WBR043   | 25.40         | 6.35           |
| WBR044   | 25.40         | 8.00           |
| WBR045   | 25.40         | 9.525          |
| WBR054   | 38.10         | 3.175          |
| WBR055   | 38.10         | 6.35           |
| WBR056   | 38.10         | 9.525          |
| WBR062   | 50.80         | 3.175          |
| WBR063   | 50.80         | 6.35           |
| WBR064   | 50.80         | 9.525          |
| WBR065   | 50.80         | 12.70          |



| Part No. | Diameter (mm) | Thickness (mm) |
|----------|---------------|----------------|
| WBR072   | 76.20         | 9.525          |
| WBR073   | 76.20         | 12.70          |
| WBR082   | 101.60        | 9.525          |
| WBR083   | 101.60        | 12.70          |



### Specifications

Material: UV-grade fused silica(China: JGS1)

Diameter Tolerance: +0.0, -0.1mm

Center Thickness: ±0.2mm

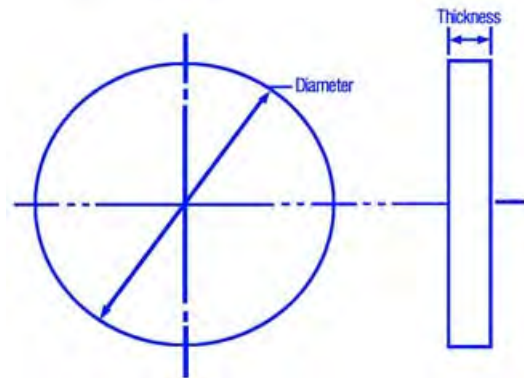
Surface Figure:  $\lambda/10$

Scratch/Dig: 20-10

Parallelism: <1'

Clear Aperture: >90%

Protective Bevel



| Part No. | Diameter (mm) | Thickness (mm) |
|----------|---------------|----------------|
| WFR001   | 12.7          | 6.0            |
| WFR002   | 25.4          | 6.0            |
| WFR003   | 38.1          | 10.0           |
| WFR004   | 50.8          | 10.0           |
| WFR005   | 76.2          | 15.0           |



**Specifications**

Material: BK7

Diameter Tolerance: +0.0, -0.1mm

Center Thickness: ±0.2mm

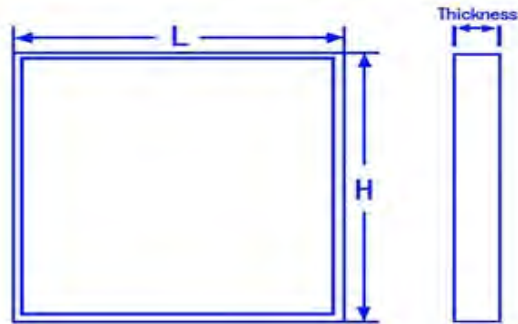
Surface Figure:  $\lambda/10$

Scratch/Dig: 20-10

Parallelism: <1'

Clear Aperture: >90%

Protective Bevel



| Part No. | L (mm) | H (mm) | Thickness (mm) |
|----------|--------|--------|----------------|
| WBS001   | 5.0    | 5.0    | 1.0            |
| WBS004   | 12.7   | 6.4    | 1.0            |
| WBS005   | 12.7   | 12.7   | 6.0            |
| WBS006   | 12.7   | 12.7   | 6.0            |
| WBS010   | 17.8   | 13.8   | 3.2            |
| WBS015   | 25.4   | 25.4   | 6.0            |
| WBS016   | 25.4   | 25.4   | 6.0            |
| WBS020   | 30.2   | 16.0   | 6.4            |
| WBS025   | 44.5   | 28.6   | 7.5            |
| WBS026   | 44.4   | 44.4   | 10.0           |
| WBS030   | 50.8   | 50.8   | 10.0           |
| WBS031   | 50.8   | 50.8   | 10.0           |
| WBS035   | 54.0   | 38.0   | 12.0           |
| WBS045   | 101.6  | 69.8   | 12.7           |
| WBS046   | 101.6  | 101.6  | 25.4           |
| WBS047   | 101.6  | 101.6  | 25.4           |
| WBS050   | 116.8  | 18.0   | 9.6            |
| WBS054   | 146.0  | 54.0   | 10.0           |
| WBS060   | 165.1  | 57.2   | 12.7           |
| WBS065   | 172.0  | 60.0   | 15.0           |



**Specifications**

Material: UV-grade fused silica(China: JGS1)

Diameter Tolerance: +0.0, -0.1mm

Center Thickness: ±0.2mm

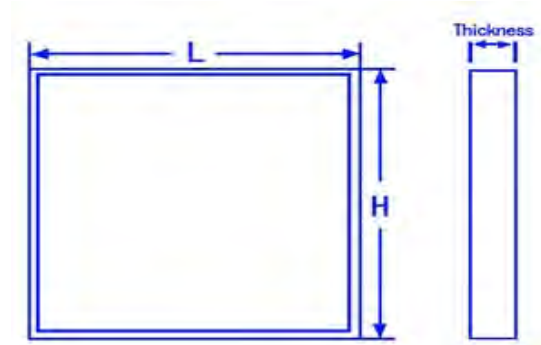
Surface Figure:  $\lambda/10$

Scratch/Dig: 20-10

Parallelism: <3'

Clear Aperture: >90%

Protective Bevel



| Part No. | L=H (mm) | Thickness (mm) |
|----------|----------|----------------|
| WFS001   | 12.7     | 6.0            |
| WFS002   | 12.7     | 19.1           |
| WFS003   | 25.4     | 6.0            |
| WFS004   | 50.8     | 10.0           |



### Specifications

Material: BK7

Diameter Tolerance:  $\pm 0.15\text{mm}$

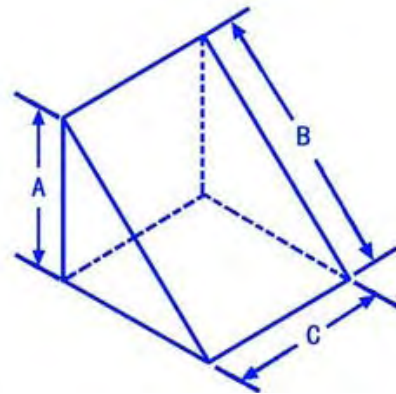
Surface Figure:  $\lambda/10$

Scratch/Dig: 40-20

Angular Tolerances:  $\pm 3'$

Clear Aperture:  $>90\%$

Protective Bevel



| Part No. | A     | B     | C     |
|----------|-------|-------|-------|
| GPS910   | 10.00 | 14.10 | 10.00 |
| GPS911   | 25.00 | 35.40 | 25.00 |
| GPS912   | 40.00 | 56.60 | 40.00 |
| GPS913   | 60.00 | 84.90 | 60.00 |



## Specifications

Material: UV-grade fused silica(China: JGS1)

Diameter Tolerance:  $\pm 0.15\text{mm}$

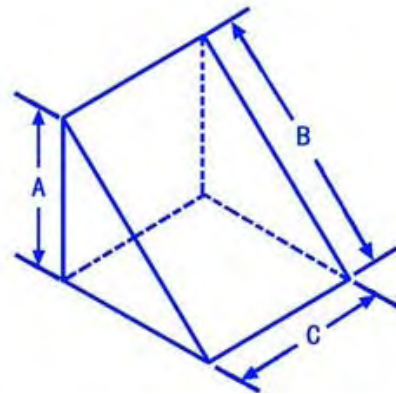
Surface Figure:  $\lambda/10$

Scratch/Dig: 40-20

Angular Tolerances:  $\pm 3'$

Clear Aperture:  $>90\%$

Protective Bevel

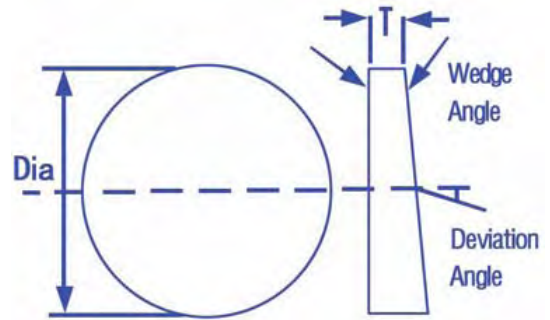


| Part No. | A      | B      | C      |
|----------|--------|--------|--------|
| PFR001   | 10.0mm | 14.1mm | 10.0mm |
| PFR002   | 12.5mm | 14.1mm | 12.5mm |
| PFR003   | 20.0mm | 14.1mm | 20.0mm |
| PFR004   | 25.0mm | 35.4mm | 25.0mm |
| PFR005   | 30.0mm | 35.4mm | 30.0mm |
| PFR006   | 35.0mm | 35.4mm | 35.0mm |
| PFR007   | 40.0mm | 56.6mm | 40.0mm |
| PFR008   | 45.0mm | 56.6mm | 45.0mm |
| PFR009   | 50.0mm | 56.6mm | 50.0mm |
| PFR010   | 60.0mm | 84.9mm | 60.0mm |



**Specifications**

Material: BK7  
 Diameter Tolerance:  $\pm 0.15\text{mm}$   
 Center Thickness:  $\pm 0.2\text{mm}$   
 Surface Figure:  $\lambda/10$   
 Scratch/Dig: 40-20  
 Angular Tolerances:  $< 30''$   
 Clear Aperture:  $> 90\%$   
 Protective Bevel



| Part No. | Dia  | Angular Deviation | T     | Wedge Angle |
|----------|------|-------------------|-------|-------------|
| GPS810   | 25.4 | 2°                | 4.72  | 3° 53'      |
| GPS811   | 25.4 | 4°                | 6.43  | 7° 41'      |
| GPS812   | 25.4 | 6°                | 8.11  | 11° 22'     |
| GPS813   | 25.4 | 8°                | 9.74  | 14° 52'     |
| GPS814   | 25.4 | 10°               | 11.33 | 18° 9'      |



**Specifications**

Material: BK7

Diameter Tolerance:  $\pm 0.10\text{mm}$

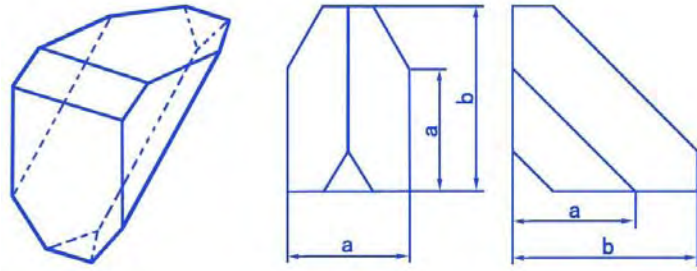
Surface Figure:  $\lambda/4$

Scratch/Dig: 40-20

Angular Tolerances:  $\pm 3'$

Clear Aperture:  $>90\%$

Protective Bevel



| Part No. | A (mm) | B (mm) |
|----------|--------|--------|
| PBF001   | 10.0   | 14.1   |
| PBF002   | 25.0   | 35.4   |
| PBF003   | 40.0   | 56.6   |



### Specifications

Material: BK7

Diameter Tolerance:  $\pm 0.10\text{mm}$

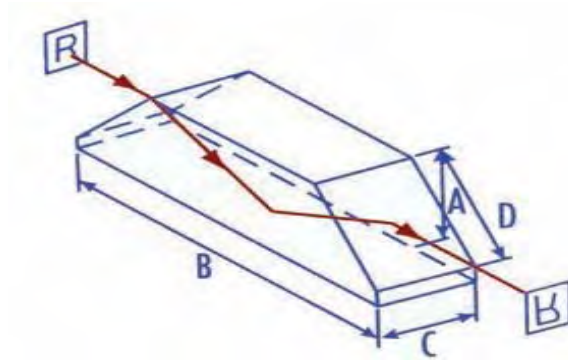
Surface Figure:  $\lambda/4$

Scratch/Dig: 40-20

Angular Tolerances:  $\pm 3'$

Clear Aperture:  $>90\%$

Protective Bevel



| Part No. | A=C(mm) | B(mm)  | D(mm) |
|----------|---------|--------|-------|
| PBD001   | 5.00    | 21.18  | 7.07  |
| PBD002   | 10.0    | 42.37  | 14.14 |
| PBD003   | 15.0    | 63.55  | 21.21 |
| PBD004   | 18.0    | 76.10  | 25.45 |
| PBD005   | 20.0    | 81.30  | 28.28 |
| PBD006   | 25.0    | 105.68 | 35.36 |
| PBD007   | 30.0    | 127.10 | 42.43 |



### Specifications

Material: BK7

Diameter Tolerance:  $\pm 0.20\text{mm}$

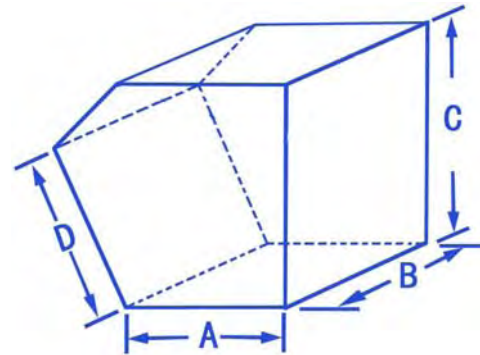
Surface Figure:  $\lambda/4$

Scratch/Dig: 40-20

Angular Tolerances:  $\pm 3''$

Clear Aperture:  $>90\%$

Protective Bevel



| Part No. | A=B(mm) | C(mm) | D(mm) |
|----------|---------|-------|-------|
| PBP001   | 5.00    | 5.00  | 7.07  |
| PBP002   | 10.0    | 10.0  | 14.14 |
| PBP003   | 15.0    | 15.0  | 14.14 |
| PBP004   | 20.0    | 20.0  | 28.28 |
| PBP005   | 25.0    | 25.0  | 28.28 |
| PBP006   | 30.0    | 30.0  | 28.28 |
| PBP007   | 35.0    | 35.0  | 28.28 |
| PBP008   | 40.0    | 40.0  | 56.57 |
| PBP009   | 50.0    | 50.0  | 56.57 |
| PBP010   | 60.0    | 60.0  | 84.85 |



### Specifications

Material: BK7

Diameter Tolerance:  $\pm 0.0, -0.1$ mm

Center Thickness:  $\pm 0.2$ mm

Surface Figure:  $\lambda/10$

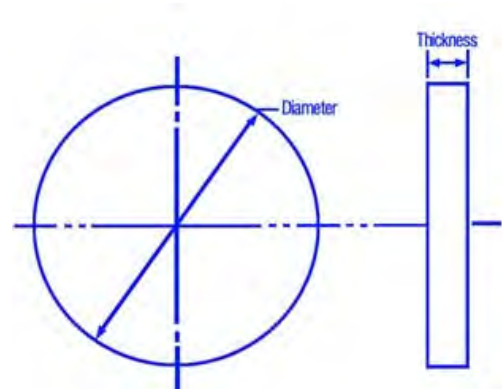
Scratch/Dig: 20-10

Parallelism:  $<1'$

Clear Aperture:  $>90\%$

Protective Bevel

Coating: .....

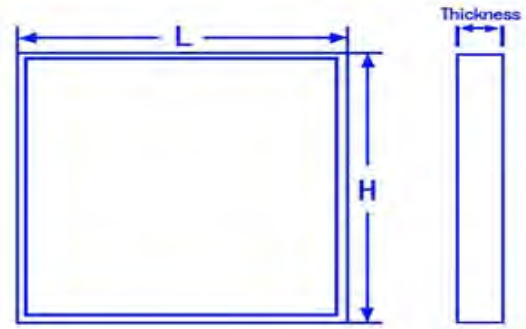


| Part No. | Diameter (mm) | Thickness (mm) |
|----------|---------------|----------------|
| MFR001   | 6.00          | 1.00           |
| MFR006   | 10.00         | 2.00           |
| MFR010   | 12.50         | 2.00           |
| MFR015   | 12.70         | 6.00           |
| MFR016   | 12.70         | 6.35           |
| MFR020   | 15.00         | 6.00           |
| MFR025   | 19.05         | 6.35           |
| MFR026   | 19.05         | 9.525          |
| MFR030   | 21.80         | 6.00           |
| MFR035   | 25.00         | 3.00           |
| MFR036   | 25.40         | 5.00           |
| MFR037   | 25.40         | 6.35           |
| MFR038   | 25.40         | 9.525          |
| MFR043   | 29.00         | 7.50           |
| MFR050   | 38.00         | 10.00          |
| MFR051   | 38.10         | 9.525          |
| MFR060   | 50.00         | 10.00          |
| MFR061   | 50.80         | 5.00           |
| MFR062   | 50.80         | 9.525          |
| MFR063   | 50.80         | 10.00          |
| MFR070   | 76.20         | 12.70          |



**Specifications**

Material: BK7  
 Diameter Tolerance: +0.0, -0.1mm  
 Center Thickness: ±0.2mm  
 Surface Figure:  $\lambda/10$   
 Scratch/Dig: 20-10  
 Parallelism:  $<1'$   
 Clear Aperture:  $>90\%$   
 Protective Bevel  
 Coating: .....



| Part No. | L (mm) | H (mm) | Thickness (mm) |
|----------|--------|--------|----------------|
| MFS001   | 12.70  | 6.40   | 2.00           |
| MFS002   | 12.70  | 12.70  | 6.35           |
| MFS008   | 20.00  | 10.00  | 6.35           |
| MFS013   | 25.40  | 25.40  | 2.00           |
| MFS014   | 25.40  | 25.40  | 6.35           |
| MFS020   | 28.60  | 14.30  | 3.18           |
| MFS025   | 35.00  | 20.00  | 9.53           |
| MFS030   | 40.00  | 25.00  | 9.53           |
| MFS031   | 40.00  | 30.00  | 5.00           |
| MFS035   | 44.40  | 44.40  | 10.00          |
| MFS036   | 44.50  | 28.60  | 7.50           |
| MFS040   | 50.00  | 30.00  | 12.70          |
| MFS044   | 50.80  | 50.80  | 1.60           |
| MFS045   | 50.80  | 50.80  | 2.00           |
| MFS046   | 50.80  | 50.80  | 10.00          |
| MFS050   | 54.00  | 38.00  | 12.00          |