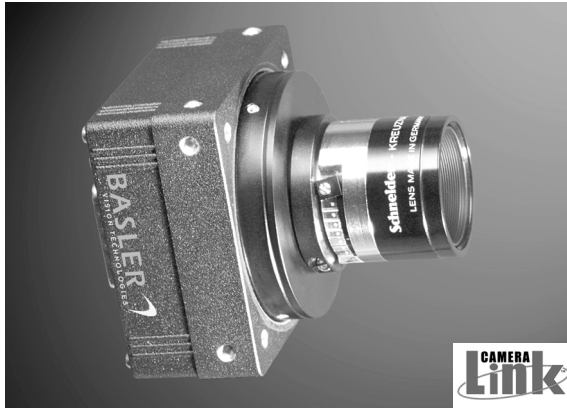


BASLER A102k



DIGITAL MONOCHROME
HIGH PERFORMANCE
AREA SCAN
CAMERA LINK™ OUTPUT

AREA SCAN CAMERAS

The **BASLER A102k** area scan camera is designed for industrial users who require megapixel resolution with the advantages of the new **Camera Link™** interface standard. The technical superiority of the new **CCD** sensor used in the **A102k** gives this camera an outstanding signal-to-noise ratio and exceptionally low smear. The **A102k** camera has a small footprint, an easy **Windows™** based configuration tool, simple cabling, and a single source power supply.

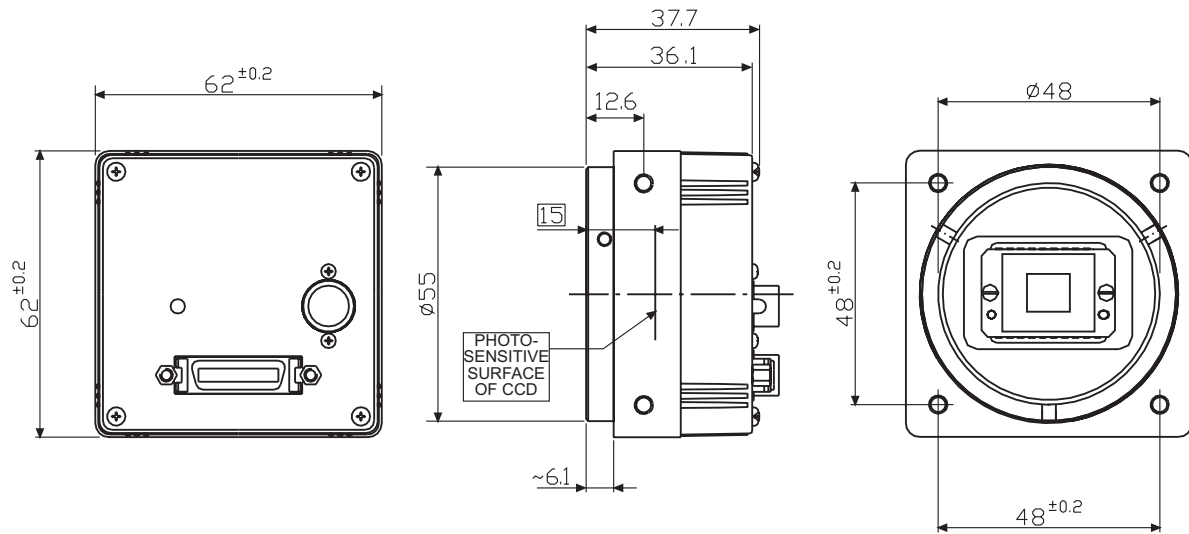
Features:

- 1392 (H) x 1040 (V) pixels
- Selectable 8 bit or 10 bit output
- Internal 12 bit ADC
- High sensitivity & signal-to-noise ratio
- Electronic exposure time control
- Area of Interest (AOI) scanning with higher frame rates at lower resolutions
- Binning
- Low smear sensor and a smear suppression feature
- Integrate enabled signal acts as an RS-644 flash trigger output
- High speed programming via RS-644 port
- Super compact size
- Housing manufactured with high planar, parallel, and angular precision

Outline

This high-performance, megapixel camera is ideal for a variety of industrial applications. The camera outputs digital data via **Camera Link™ LVDS** and allows for exposure time control with an external synchronization signal. The Area of Interest feature allows the user to capture lower resolution images at very high frame rates. The camera's unique design results in remarkably high image performance. Basler's standard troubleshooting features, such as test images and indicator LEDs, ensure that this versatile camera provides an exceptional price/performance ratio.

Dimensions



Specifications

Basler A102k

Sensor	1392 (H) x 1040 (V) Progressive CCD
Pixel Size	6.45 μm x 6.45 μm
Pixel clock	28 MHz
Frame rate	14.8 frames/sec. (at full resolution)
Anti-blooming	Yes
Video Output	Camera Link LVDS*, 8 bit or 10 bit depth
Synchronization	Via external ExSync signal or internal free-run
Exposure Control	Level-controlled or programmable
Gain and Offset	Programmable via a serial link on the frame grabber
Power Requirements	12VDC ($\pm 10\%$); max. 3.5 W
Connectors	One, 26 pin, female MDR connector One, 6 pin, Hirose micro-miniature push-pull receptacle
Lens Mounts	C-mount or F-mount
Housing Size (L x W x H in mm)	Without lens adapter: 37.7 x 62 x 62 With C-mount adapter: 40.2 x 62 x 62 With F-mount adapter: 69.2 x 62 x 62
Weight	Without lens adapter: ~ 182 g With C-mount adapter: ~ 222 g With F-mount adapter: ~ 292 g
Conformity	CE, FCC

* RS-644 LVDS when used with the optional Basler Interface Converter for k cameras (k-BIC)



Europe

Phone +49 (0) 4102 463-500
Fax +49 (0) 4102 463-599

vc.sales.europe@baslerweb.com

www.basler-vc.com

USA

Phone +1 (610) 280-0171
Fax +1 (610) 280-7608

vc.sales.usa@baslerweb.com

Singapore

Phone +65 425 0472
Fax +65 425 0473

vc.sales.asia@baslerweb.com

Taiwan

Phone +886 2 2766 9575
Fax +886 2 2766 9576