

Preliminary

BASLER A202K



MEGAPIXEL
PROGRESSIVE AREA
SCAN CAMERAS
CAMERA LINK OUTPUT

The **BASLER A202k**, part of the **A200** series, will provide the market with exceptionally designed high resolution digital camera technology. This product, like Basler's other products, has a small footprint, and easy Windows® based configuration tool, simple cabling, and a single source power supply.

Features

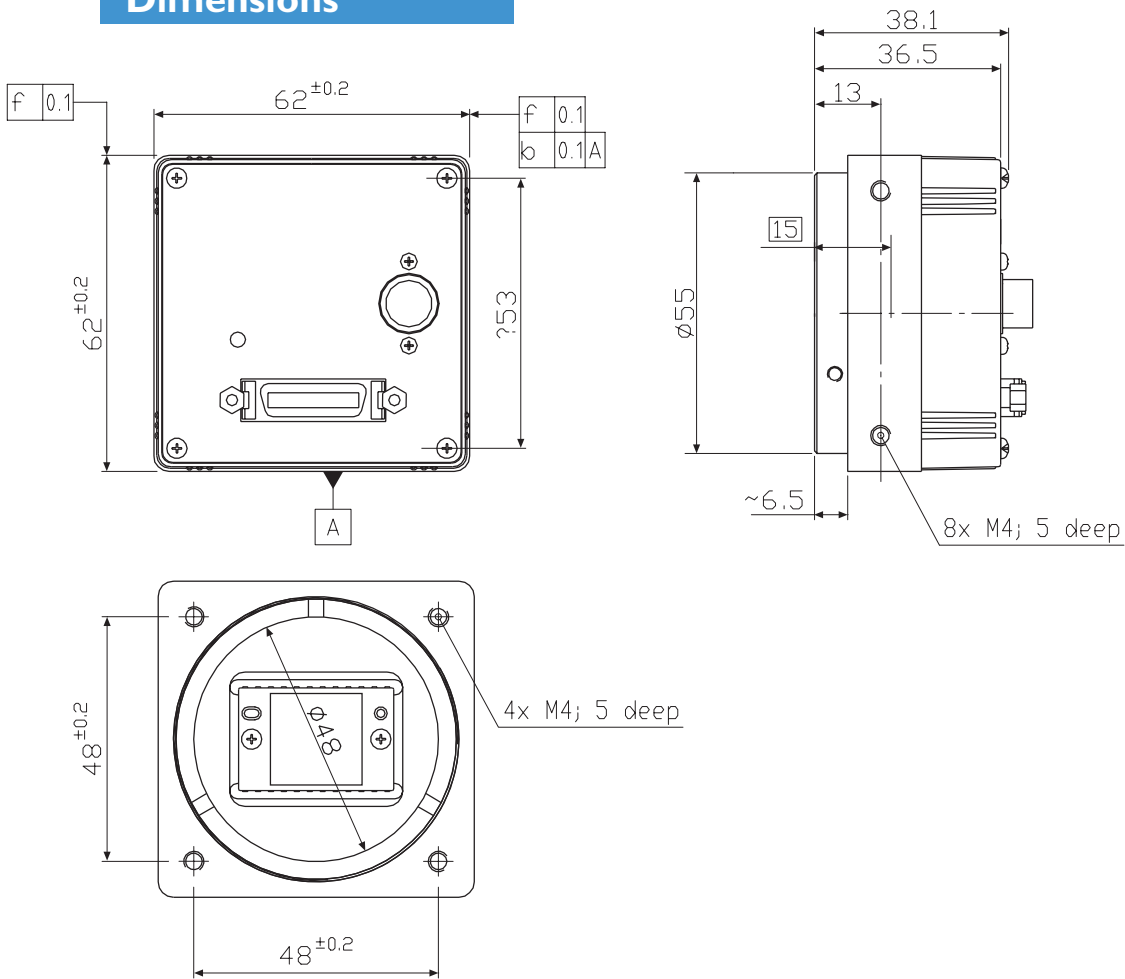
- High frame rates up to 48fps
- Resolution up to 1004 x 1004
- High sensitivity
- Electronic exposure time control
- High signal-to-noise ratio
- Anti-blooming
- Programmable
- Super compact size
- Housing manufactured with high planar, parallel, and angular precision

Outline

The A202k is one of the fastest megapixel progressive scan cameras available, up to 48fps. This series was built for users who require high resolution, digital output (Camera Link), high frame rates, and the common sense Basler design. The cameras allow for external synchronization via an ExSync signal.

AREA SCAN CAMERAS

Dimensions



Specifications

BASLER A202k

Sensor	Interline transfer progressive scan CCD
Pixel	1004 (H) x 1004 (V)
Pixel clock	2 x 40MHz
Frame rate	48fps
Pixel size	7.4 μm x 7.4 μm
Dark Signal NU	$\pm 1\%$
PRNU	$\pm 5\%$
Video output	8-or 10-bit, Camera Link
Synchronization	External via ExSync or internal Free-run
Exposure control	Level or programmable
Gain and offset	Programmable
Power	12VDC ($\pm 10\%$, max 5.5W)
Size (housing only)	38.1 x 62 x 62mm (L x W x H)
Weight	TBD
Lens mount	F-mount, C-Mount, or M42
Conformity	CE, FCC

Specification may change without notice

BASLER
VISION TECHNOLOGIES

Germany, Headquarters
Phone +49 (0)4102 463-500
Fax +49 (0)4102 463-599
mvc.sales.europe@baslerweb.com

USA
Phone +1 (610) 280-0171
Fax +1 (610) 280-7608
mvc.sales.usa@baslerweb.com

Singapore
Phone +65 425 0472
Fax +65 425 0473
mvc.sales.asia@baslerweb.com

baslervisioncomponents.com